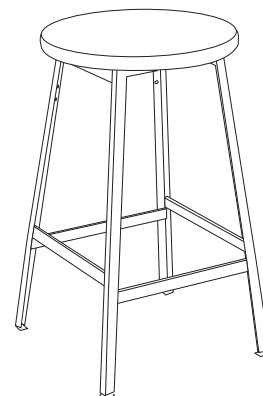


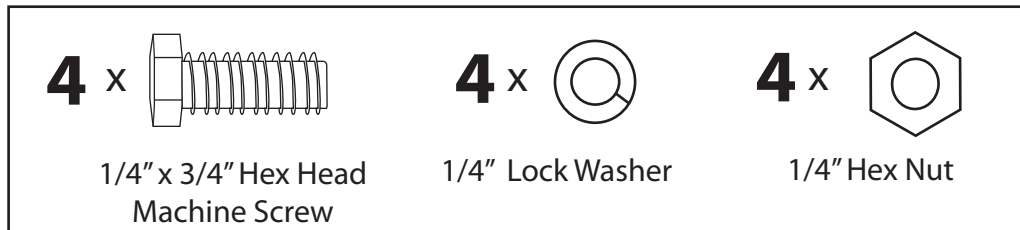


310 - Shop Stool Assembly Instructions

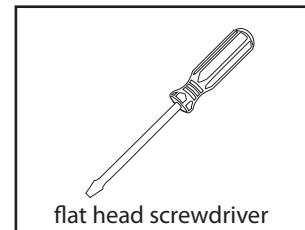


Includes:

- (1) Stool Seat
- (1) Stool Frame



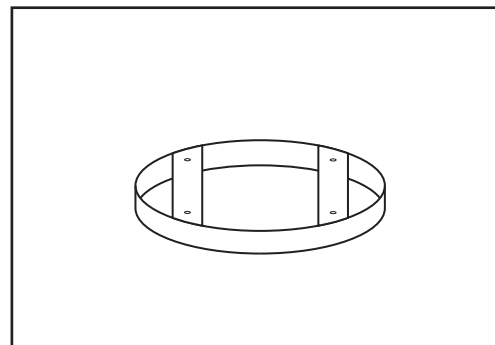
Tools Needed:



Steps:

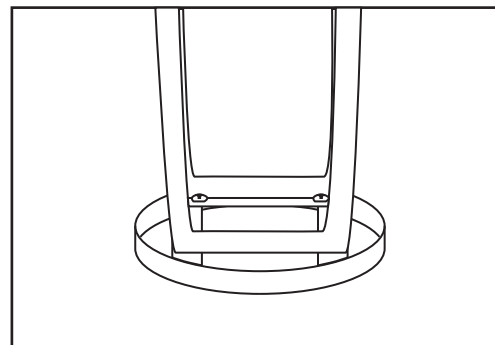
1

Lay seat on a hard surface with under side up.



2

Turn stool frame upside down and line up holes in frame with pilot holes in seat fasten with (4) 1/4" x 3/4" Hex Head Machine Screws, 1/4" Lock Washer, and 1/4" Hex nut.



3

If Leveler Glides were Purchased, attach Leveler Glides to Leg Extensions using bolts equipped with glides like shown.

