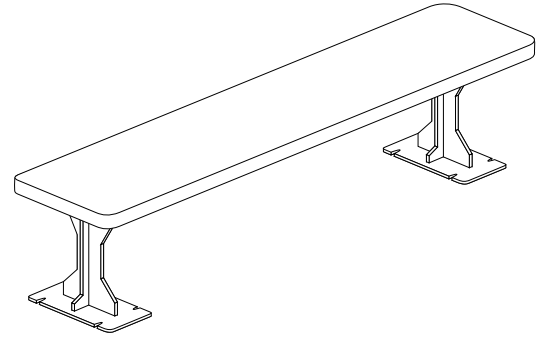
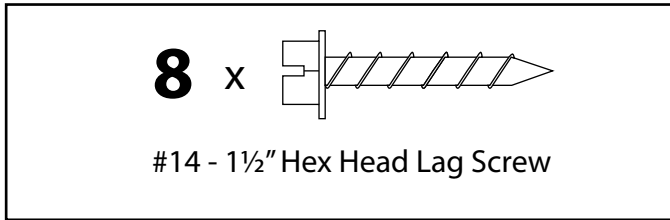


## 330 Locker Room Bench Assembly Instructions

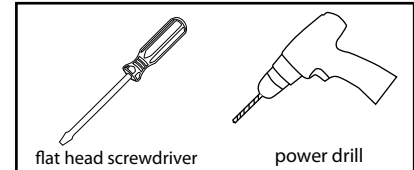


### Includes:

- (2) or (3) Pedestals
- (1) Wood Bench Seat



### Tools Needed:

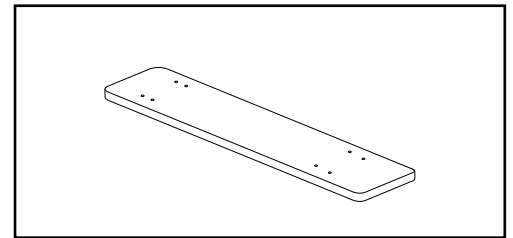


*Note: For benches with (3) Pedestals, (12) Screws will be provided.*

### Steps:

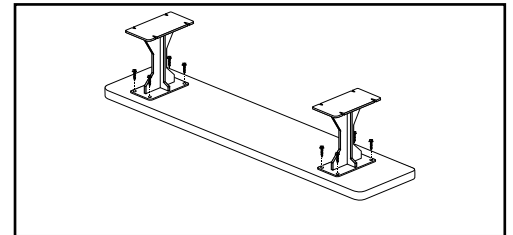
# 1

Lay the Wood Bench Seat upside down on a flat surface. Determine the desired location of the pedestals and mark the hole placement of the pedestals. Remove the pedestals and drill pilot holes at marks. *Note: For 8' benches, pedestals must be placed 1' in from the end of each side of the seat, unless a third pedestal has been purchased.*



# 2

Install (1) Pedestal at pilot holes using (4) #14 1" Hex Head Lag Screws. Repeat this step with the second pedestal and (4) #14 1" Hex Head Lag Screws. *Note: If third pedestal is available repeat with third pedestal.*



# 3

Flip Bench rightside and place in location of use. *Note: Pollard suggests bolting bench to floor using hardware appropriate to the flooring of installation.*

