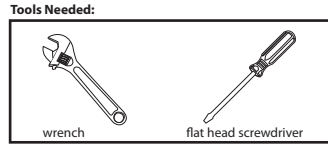
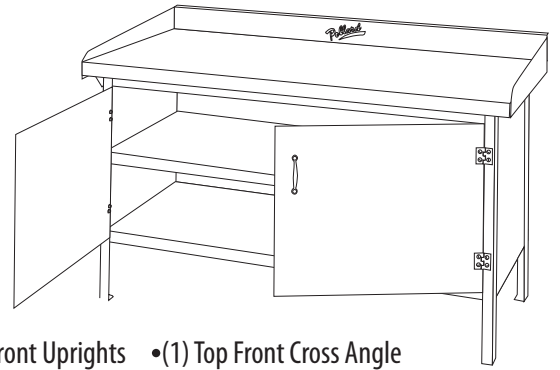




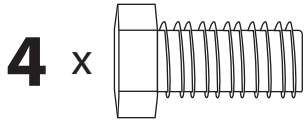
www.pollardbros.com

# 120 Enclosed Work Bench Assembly Instructions



## Includes:

- (2) Side Plates (Left & Right) • (1) Back Plate • (2) Rear Uprights (Left & Right) • (2) Front Uprights • (1) Top Front Cross Angle
- (2) Top Support Angles • (2) Cabinet Doors • (1) Steel Top



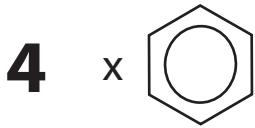
4 x  
3/8" x 3/4" Hex Head Machine Screw



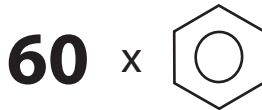
60 x  
1/4" x 5/8" Round Head Machine Screw



6 x  
5/16" x 3/4" Flat Head Machine Screw



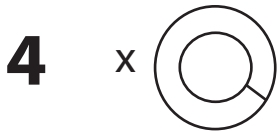
4 x  
3/8" Hex Nut



60 x  
1/4" Hex Nut



6 x  
5/16" Hex Nut



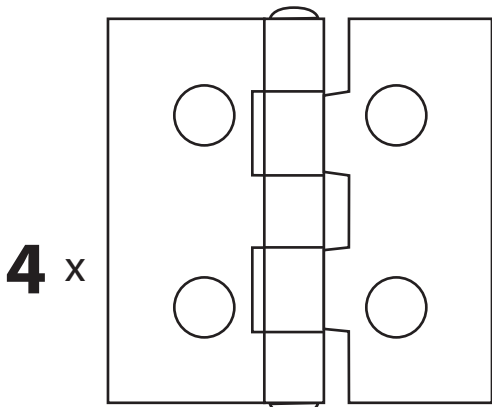
4 x  
3/8" Lock Washer



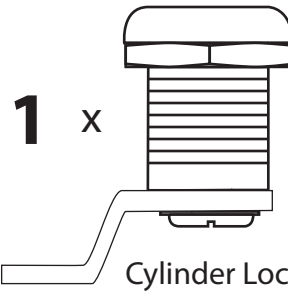
60 x  
1/4" Lock Washer



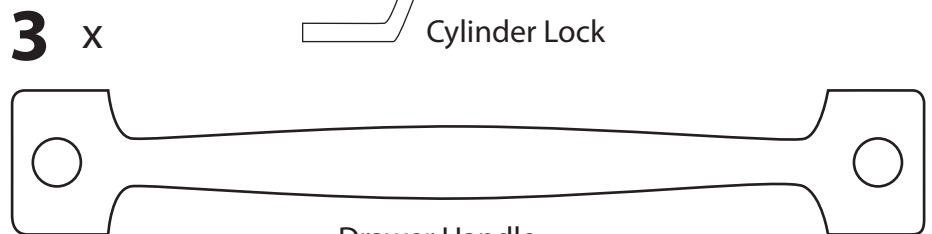
6 x  
5/16" Lock Washer



4 x  
2" x 2" Butt Hinges



1 x  
Cylinder Lock

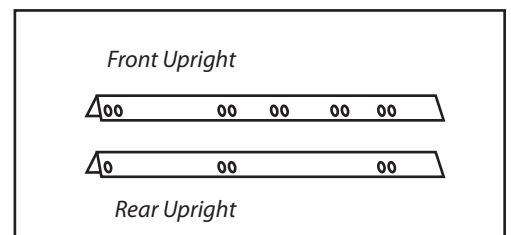


3 x  
Drawer Handle

## Steps:

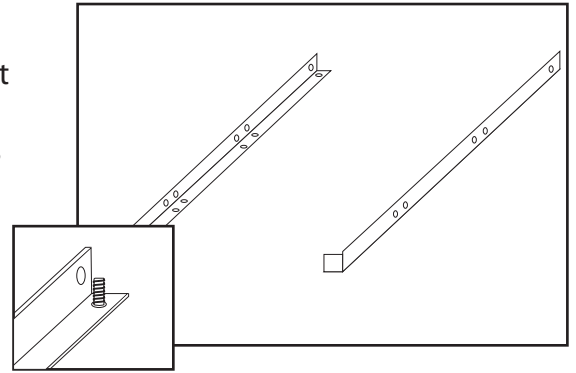
# 1

Determine which are the Front and which are the Rear Uprights. The Front Uprights have four extra holes for the hinges. Both Front and Rear Uprights are made as left and rights.



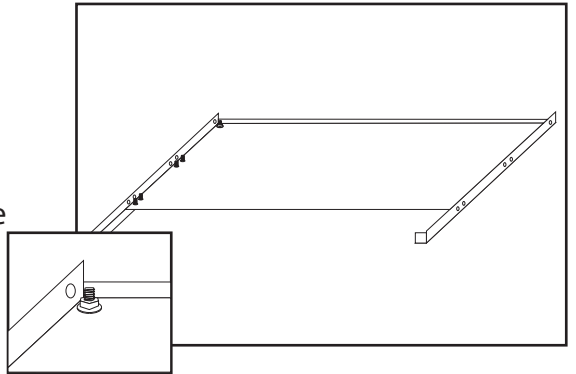
2

Lay rear uprights on floor about 55" apart. Insert (5) 1/4" x 5/8" Round Head Machine Screws through the back holes so that the screw head is between the floor and the upright.



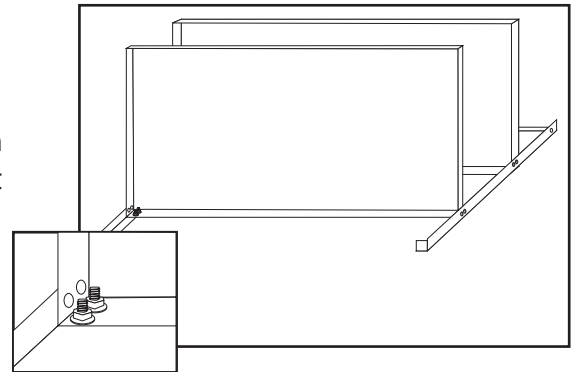
3

Align the Cabinet Back Plate (with the 1/2" form facing up) between the uprights and match the holes in the back with the protruding screws. Bolt 1/4" Lock Washer and 1/4" Hex Nut to the top single screws. **HAND TIGHTEN ONLY.** Leave the remaining screws without nuts and washers.



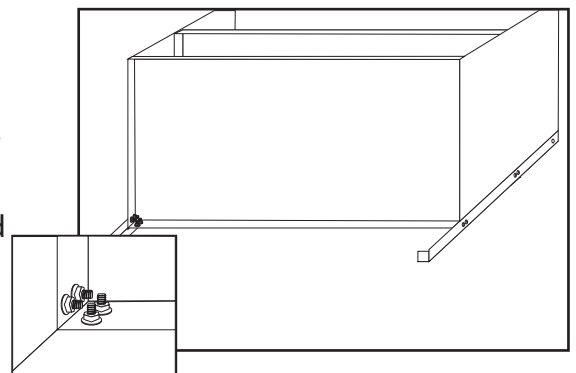
4

Attach the top Shelf Tray with flanges down onto the four protruding screws and fasten with (4) 1/4" Lock Washers and 1/4" Hex Nuts. Repeat with the lower Shelf Tray. **HAND TIGHTEN ONLY.**



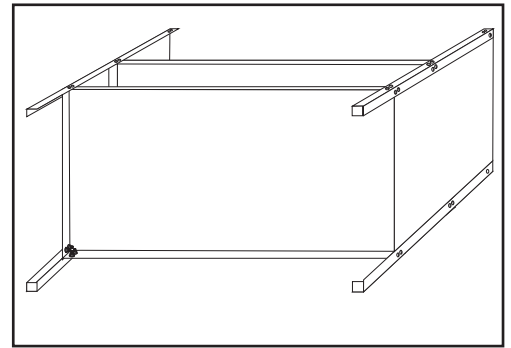
5

Insert the Side Plates between the tray shelves and the rear uprights, bolt through the bottom side holes of the upright, sides, and trays using (8) 1/4" x 5/8" Round Head Machine Screws, 1/4" Lock Washers, and 1/4" Hex Nuts. **HAND TIGHTEN ONLY.** Leave 13/32" holes in sides and uprights open.



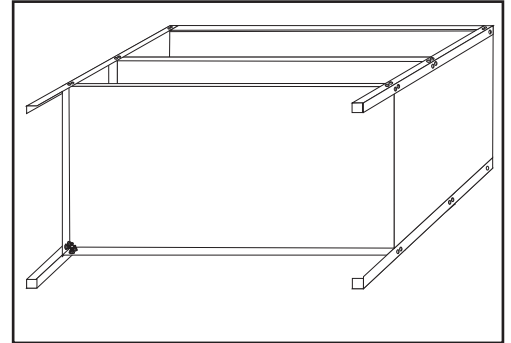
6

Attach front Uprights using (16) 1/4" x 5/8" Round Head Machine Screws, 1/4" Lock Washers, and 1/4" Hex Nuts. **HAND TIGHTEN ONLY.**



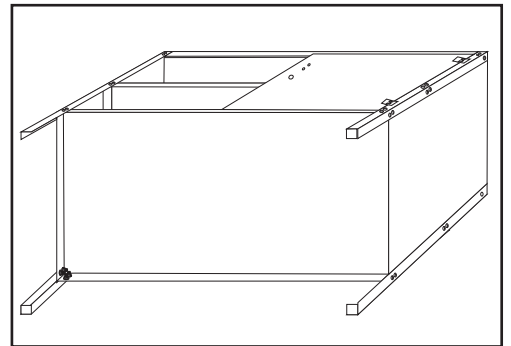
7

Bolt the top front cross angle inside of the front uprights at the top with angle flange facing in. Use (4) – 1/4" x 5/8" Round Head Machine Screws, Lock Washers, and Hex Nuts. **HAND TIGHTEN ONLY.**



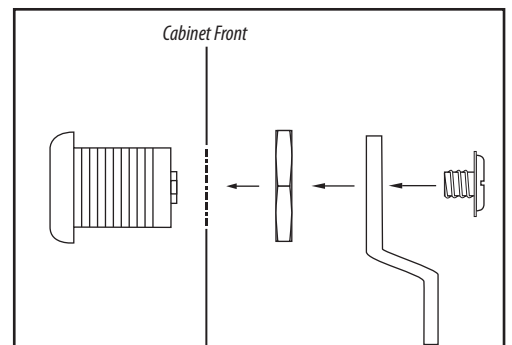
8

Assemble Hinges to left and right Doors using (4) 2" x 2" hinges, match up holes on uprights with holes on hinges and bolt together using (16) 1/4" x 5/8" Machine Screws, 1/4" Lock Washers, and Hex Nuts.

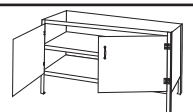


9

Attach Cylinder Locks to Cabinet Fronts. Remove End Screw, Cam, and 1/2" Hex Nut from Cylinder. Insert Cylinder into lock hole and replace 1/2" Hex Nut, Cam, and End Screw according to diagram. Attach door handles with (4) 8/32" x 3/8" Flat Head Machine Screws and 8/32" nuts.

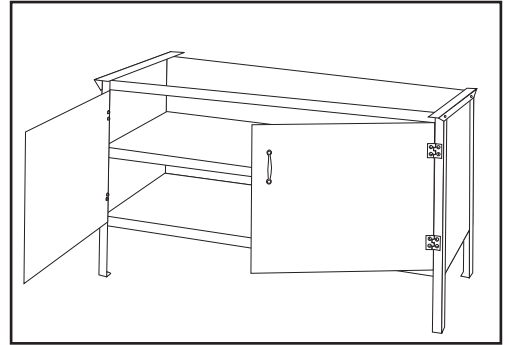


Stand cabinet upright and make sure the frame work is square and that the doors are in line, then tighten all bolts.



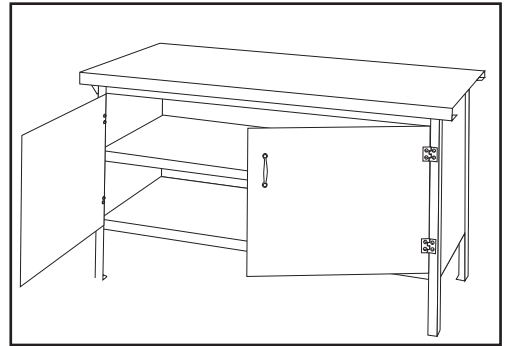
10

Attach top support angles to Uprights and Sides using (4) 3/8" x 3/4" Hex Head Machine Screws, 3/8" Lock Washers, and 3/8" Hex Nuts.



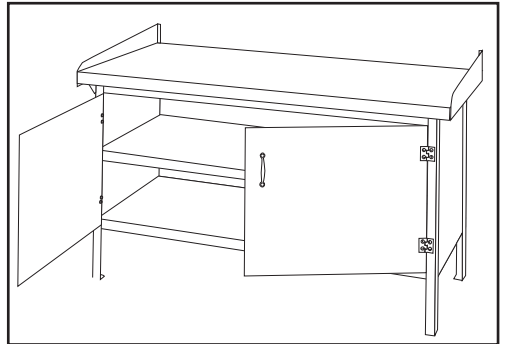
11

Slide the formed 12 ga. Steel Top from either end over the top support angles, (formed side with 5/16" holes to the back).



12

Before bolting the top to the support angles, slip in the End Plates between the Top and the angles, match up the holes and secure Top and End Plates to the support angles using (6) 5/16" x 3/4" Flat Head Machine Screws, 5/16" Lock Washers, and Hex Nuts.



13

Fasten Back Plate inside the 1" form of the End Plates and with the 3/4" form facing out use (5) 1/4" x 5/8" Round Head Machine Screws, 1/4" Lock Washers and 1/4" Hex Nuts, three to the top and two for the End Plates. Tighten all bolts

