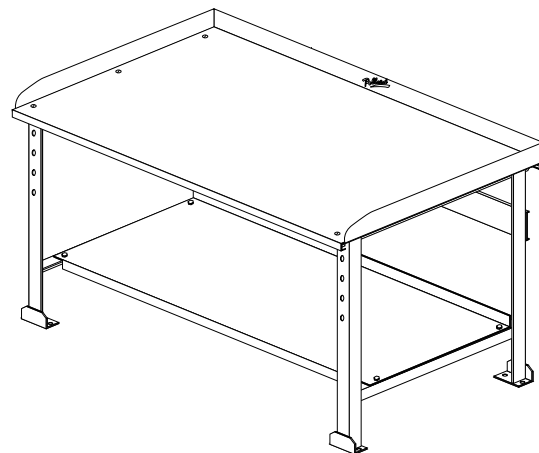
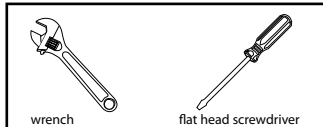




121 - Open Leg Bench Assembly Instructions

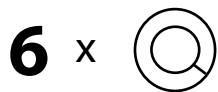


Tools Needed:

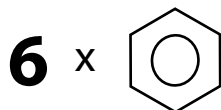


Includes:

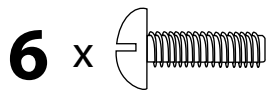
- (2) or (3) Bench Legs • (1) Formed Channel Stringer • (1) Formed Shelf • (1) Formed Back Plate • (2) End Plates • (1) Steel Top



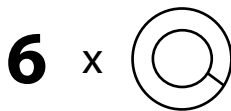
1/4" Lock Washer



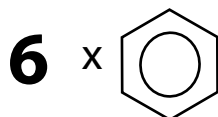
1/4" Hex Nut



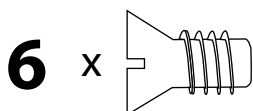
1/4" x 5/8" Round Head
Machine Screw



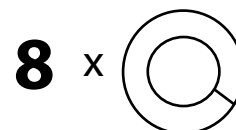
5/16" Lock Washer



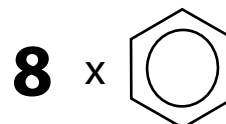
5/16" Hex Nut



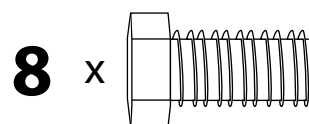
5/16" x 3/4" Flat Head
Machine Screw



3/8" Lock Washer



3/8" Hex Nut

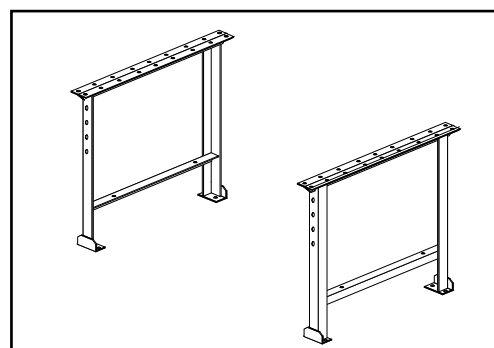


3/8" x 3/4" Hex Head
Machine Screw

Steps:

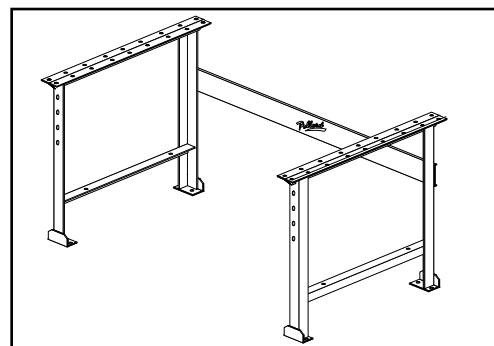
1

Stand legs upright and face as shown. *Note: 6' benches and under come with two legs, and 8' benches and over come with three legs.*



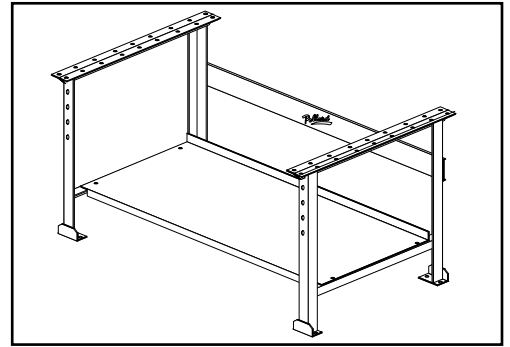
2

Attach stringer to the back leg uprights using (4) 3/8" x 3/4" Hex Head Machine Screws, 3/8" hex nuts, and 3/8" washers. **HAND TIGHTEN ONLY.**



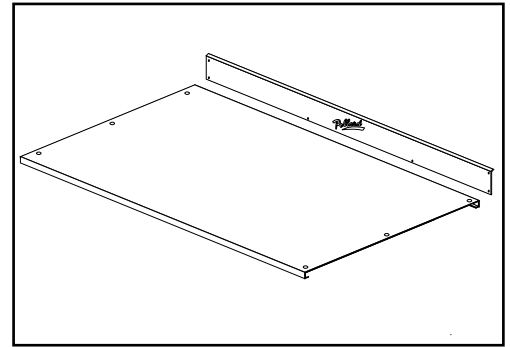
3

Attach shelf to Bench Leg crosses with the form up in the back using 3/8" x 3/4" Hex Head Machine Screws, 3/8" hex nuts, and 3/8" washers. **HAND TIGHTEN ONLY.**



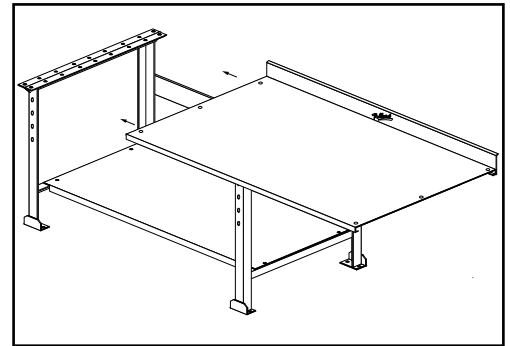
4

Attach Back Plate to the back of Steel Top using (4) 1/4" x 5/8" Round Head Machine Screws, 1/4" Hex Nuts, and 1/4" Lock Washers.



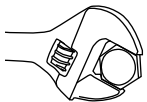
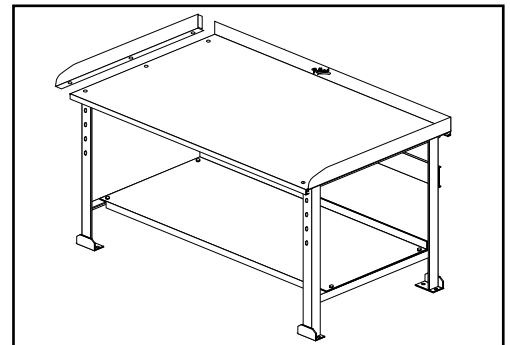
5

Slide Top with back plate onto legs starting at either end. **DO NOT INSERT BOLTS.**



6

Attach End Plates by inserting the long flange between the Steel Top and the Bench Leg and the short vertical flange behind the back plate. Align End plate holes with Bench Top holes, Bench Leg holes, and Back Plate holes. Insert (6) 5/16" x 3/4" Flat Head Machine Screws through Steel Top, End Plates, and Bench Legs. Secure with 5/16" Hex Nuts and 5/16" Lock Washers. **HAND TIGHTEN ONLY.** Bolt End Plates to Back Plate using (2) 1/4" x 5/8" Round Head Machine Screws, 1/4" Hex Nuts, and 1/4" Lock Washers.



After top is in place, make sure bench is square and then, tighten all bolts, starting with the stringer and tie rods.