

Product #	A	B	C	D	E	F	Unit Wt.
121-324-30	36"	24"	11½"	12"	9¾"	2¼"	97 lbs
121-324-32	36"	24"	11½"	12"	9¾"	2¼"	97 lbs
121-324-35	36"	24"	11½"	12"	9¾"	2¼"	97 lbs
121-329-30	36"	29"	16½"	17"	12¼"	2¼"	112 lbs
121-329-32	36"	29"	16½"	17"	12¼"	2¼"	112 lbs
121-329-35	36"	29"	16½"	17"	12¼"	2¼"	112 lbs
121-424-30	48"	24"	11½"	12"	9¾"	2¼"	114 lbs
121-424-32	48"	24"	11½"	12"	9¾"	2¼"	114 lbs
121-424-35	48"	24"	11½"	12"	9¾"	2¼"	114 lbs
121-429-30	48"	29"	16½"	17"	12¼"	2¼"	133 lbs
121-429-32	48"	29"	16½"	17"	12¼"	2¼"	133 lbs
121-429-35	48"	29"	16½"	17"	12¼"	2¼"	133 lbs
121-524-30	60"	24"	11½"	12"	9¾"	2¼"	133 lbs
121-524-32	60"	24"	11½"	12"	9¾"	2¼"	133 lbs
121-524-35	60"	24"	11½"	12"	9¾"	2¼"	133 lbs
121-529-30	60"	29"	16½"	17"	12¼"	2¼"	157 lbs
121-529-32	60"	29"	16½"	17"	12¼"	2¼"	157 lbs
121-529-35	60"	29"	16½"	17"	12¼"	2¼"	157 lbs
121-536-30	60"	36"	24"	24⅝"	16⅞"	1⅞"	190 lbs
121-536-32	60"	36"	24"	24⅝"	16⅞"	1⅞"	190 lbs
121-536-35	60"	36"	24"	24⅝"	16⅞"	1⅞"	190 lbs
121-624-30	72"	24"	11½"	12"	9¾"	2¼"	151 lbs
121-624-32	72"	24"	11½"	12"	9¾"	2¼"	151 lbs
121-624-35	72"	24"	11½"	12"	9¾"	2¼"	151 lbs
121-629-30	72"	29"	16½"	17"	12¼"	2¼"	178 lbs
121-629-32	72"	29"	16½"	17"	12¼"	2¼"	178 lbs
121-629-35	72"	29"	16½"	17"	12¼"	2¼"	178 lbs
121-636-30	72"	36"	24"	24⅝"	16⅞"	1⅞"	217 lbs
121-636-32	72"	36"	24"	24⅝"	16⅞"	1⅞"	217 lbs
121-636-35	72"	36"	24"	24⅝"	16⅞"	1⅞"	217 lbs

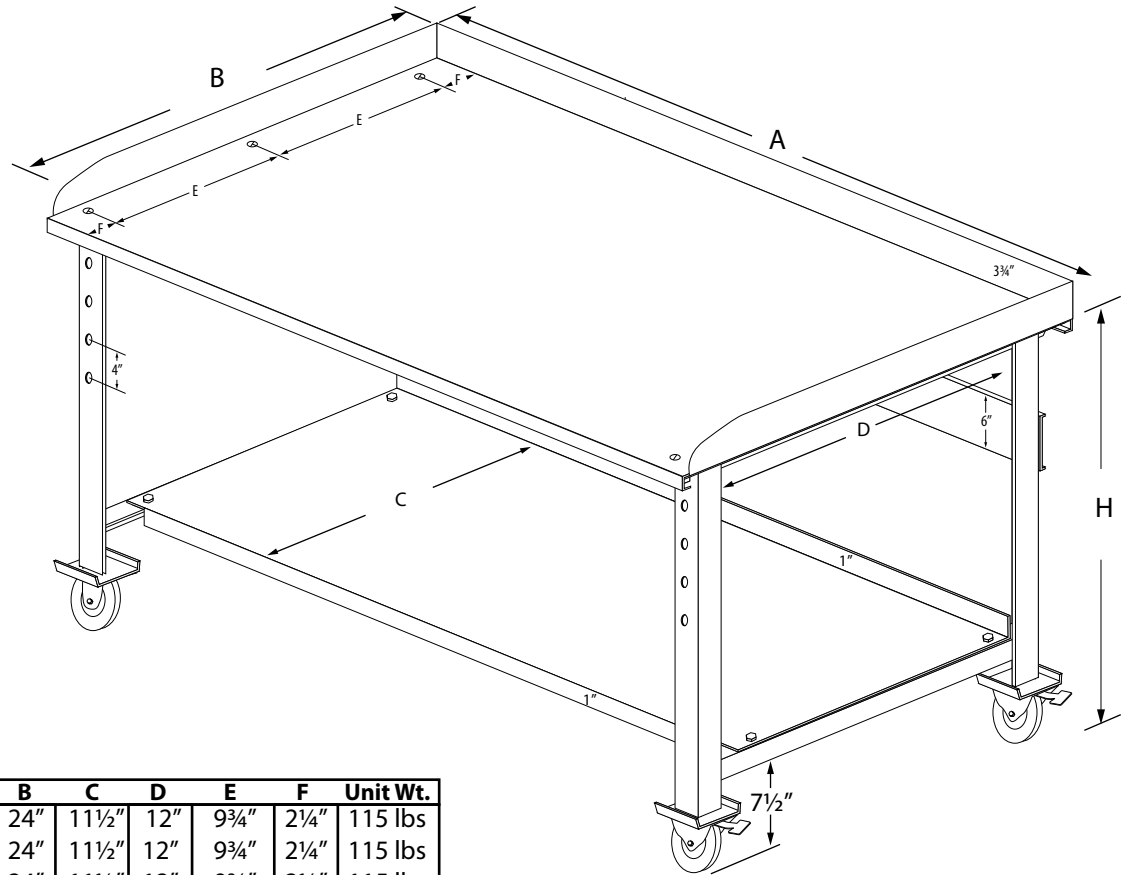
Product #	A	B	C	D	E	F	Unit Wt.
121-829-30	96"	29"	16½"	17"	12¼"	2¼"	242 lbs
121-829-32	96"	29"	16½"	17"	12¼"	2¼"	242 lbs
121-829-35	96"	29"	16½"	17"	12¼"	2¼"	242 lbs
121-836-30	96"	36"	24"	24⅝"	16⅞"	1⅞"	296 lbs
121-836-32	96"	36"	24"	24⅝"	16⅞"	1⅞"	296 lbs
121-836-35	96"	36"	24"	24⅝"	16⅞"	1⅞"	296 lbs
121-1029-30	120"	29"	16½"	17"	12¼"	2¼"	287 lbs
121-1029-32	120"	29"	16½"	17"	12¼"	2¼"	287 lbs
121-1029-35	120"	29"	16½"	17"	12¼"	2¼"	287 lbs
121-1036-30	120"	36"	24"	24⅝"	16⅞"	1⅞"	351 lbs
121-1036-32	120"	36"	24"	24⅝"	16⅞"	1⅞"	351 lbs
121-1036-35	120"	36"	24"	24⅝"	16⅞"	1⅞"	351 lbs

**SHIPS: Knocked Down
SLR: 5,000-12,000 lbs.**

ARC WELDED MEDIUM DUTY MACHINE TABLE

121

- (1) 12ga Formed Bench Top
- (2) or (3) Arc Welded Bench Legs
- (1) 16ga Formed Stringer
- (1) 12ga Formed Lower Shelf
- (1) 16ga Formed Back & End Plates



Product #	A	B	C	D	E	F	Unit Wt.
121-324-30-166R	36"	24"	11½"	12"	9¾"	2¼"	115 lbs
121-324-32-166R	36"	24"	11½"	12"	9¾"	2¼"	115 lbs
121-324-35-166R	36"	24"	11½"	12"	9¾"	2¼"	115 lbs
121-329-30-166R	36"	29"	16½"	17"	12¼"	2¼"	130 lbs
121-329-32-166R	36"	29"	16½"	17"	12¼"	2¼"	130 lbs
121-329-35-166R	36"	29"	16½"	17"	12¼"	2¼"	130 lbs
121-424-30-166R	48"	24"	11½"	12"	9¾"	2¼"	132 lbs
121-424-32-166R	48"	24"	11½"	12"	9¾"	2¼"	132 lbs
121-424-35-166R	48"	24"	11½"	12"	9¾"	2¼"	132 lbs
121-429-30-166R	48"	29"	16½"	17"	12¼"	2¼"	151 lbs
121-429-32-166R	48"	29"	16½"	17"	12¼"	2¼"	151 lbs
121-429-35-166R	48"	29"	16½"	17"	12¼"	2¼"	151 lbs
121-524-30-166R	60"	24"	11½"	12"	9¾"	2¼"	151 lbs
121-524-32-166R	60"	24"	11½"	12"	9¾"	2¼"	151 lbs
121-524-35-166R	60"	24"	11½"	12"	9¾"	2¼"	151 lbs
121-529-30-166R	60"	29"	16½"	17"	12¼"	2¼"	175 lbs
121-529-32-166R	60"	29"	16½"	17"	12¼"	2¼"	175 lbs
121-529-35-166R	60"	29"	16½"	17"	12¼"	2¼"	175 lbs
121-536-30-166R	60"	36"	24"	24⅝"	16⅞"	1⅞"	208 lbs
121-536-32-166R	60"	36"	24"	24⅝"	16⅞"	1⅞"	208 lbs
121-536-35-166R	60"	36"	24"	24⅝"	16⅞"	1⅞"	208 lbs
121-624-30-166R	72"	24"	11½"	12"	9¾"	2¼"	169 lbs
121-624-32-166R	72"	24"	11½"	12"	9¾"	2¼"	169 lbs
121-624-35-166R	72"	24"	11½"	12"	9¾"	2¼"	169 lbs
121-629-30-166R	72"	29"	16½"	17"	12¼"	2¼"	196 lbs
121-629-32-166R	72"	29"	16½"	17"	12¼"	2¼"	196 lbs
121-629-35-166R	72"	29"	16½"	17"	12¼"	2¼"	196 lbs
121-636-30-166R	72"	36"	24"	24⅝"	16⅞"	1⅞"	235 lbs
121-636-32-166R	72"	36"	24"	24⅝"	16⅞"	1⅞"	235 lbs
121-636-35-166R	72"	36"	24"	24⅝"	16⅞"	1⅞"	235 lbs

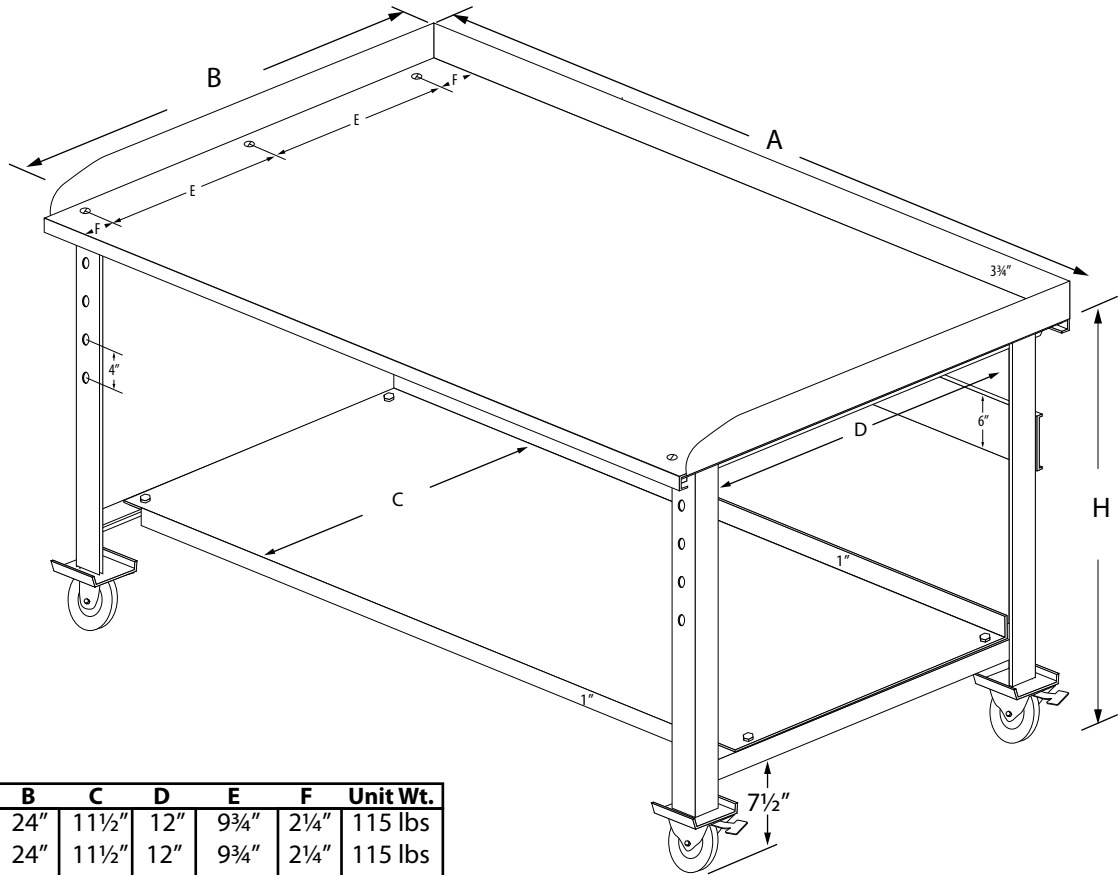
Product #	A	B	C	D	E	F	Unit Wt.
121-829-30-166R	96"	29"	16½"	17"	12¼"	2¼"	260 lbs
121-829-32-166R	96"	29"	16½"	17"	12¼"	2¼"	260 lbs
121-829-35-166R	96"	29"	16½"	17"	12¼"	2¼"	260 lbs
121-836-30-166R	96"	36"	24"	24⅝"	16⅞"	1⅞"	314 lbs
121-836-32-166R	96"	36"	24"	24⅝"	16⅞"	1⅞"	314 lbs
121-836-35-166R	96"	36"	24"	24⅝"	16⅞"	1⅞"	314 lbs
121-1029-30-166R	120"	29"	16½"	17"	12¼"	2¼"	305 lbs
121-1029-32-166R	120"	29"	16½"	17"	12¼"	2¼"	305 lbs
121-1029-35-166R	120"	29"	16½"	17"	12¼"	2¼"	305 lbs
121-1036-30-166R	120"	36"	24"	24⅝"	16⅞"	1⅞"	369 lbs
121-1036-32-166R	120"	36"	24"	24⅝"	16⅞"	1⅞"	369 lbs
121-1036-35-166R	120"	36"	24"	24⅝"	16⅞"	1⅞"	369 lbs

SHIPS: Knocked Down
SLR: 1,400 - 2,100 lbs.

ARC WELDED MEDIUM DUTY MACHINE TABLE

121-166R / 121-166XR

- (1) 12ga Formed Bench Top
- (2) or (3) Arc Welded Bench Legs
- (1) 16ga Formed Stringer
- (1) 12ga Formed Lower Shelf
- (1) 16ga Formed Back & End Plates
- (4) or (6) 5" Polyurethane Casters



Product #	A	B	C	D	E	F	Unit Wt.
121-324-30-166E	36"	24"	11 1/2"	12"	9 3/4"	2 1/4"	115 lbs
121-324-32-166E	36"	24"	11 1/2"	12"	9 3/4"	2 1/4"	115 lbs
121-324-35-166E	36"	24"	11 1/2"	12"	9 3/4"	2 1/4"	115 lbs
121-329-30-166E	36"	29"	16 1/2"	17"	12 1/4"	2 1/4"	130 lbs
121-329-32-166E	36"	29"	16 1/2"	17"	12 1/4"	2 1/4"	130 lbs
121-329-35-166E	36"	29"	16 1/2"	17"	12 1/4"	2 1/4"	130 lbs
121-424-30-166E	48"	24"	11 1/2"	12"	9 3/4"	2 1/4"	132 lbs
121-424-32-166E	48"	24"	11 1/2"	12"	9 3/4"	2 1/4"	132 lbs
121-424-35-166E	48"	24"	11 1/2"	12"	9 3/4"	2 1/4"	132 lbs
121-429-30-166E	48"	29"	16 1/2"	17"	12 1/4"	2 1/4"	151 lbs
121-429-32-166E	48"	29"	16 1/2"	17"	12 1/4"	2 1/4"	151 lbs
121-429-35-166E	48"	29"	16 1/2"	17"	12 1/4"	2 1/4"	151 lbs
121-524-30-166E	60"	24"	11 1/2"	12"	9 3/4"	2 1/4"	151 lbs
121-524-32-166E	60"	24"	11 1/2"	12"	9 3/4"	2 1/4"	151 lbs
121-524-35-166E	60"	24"	11 1/2"	12"	9 3/4"	2 1/4"	151 lbs
121-529-30-166E	60"	29"	16 1/2"	17"	12 1/4"	2 1/4"	175 lbs
121-529-32-166E	60"	29"	16 1/2"	17"	12 1/4"	2 1/4"	175 lbs
121-529-35-166E	60"	29"	16 1/2"	17"	12 1/4"	2 1/4"	175 lbs
121-536-30-166E	60"	36"	24"	24 5/8"	16 1/8"	1 1/8"	208 lbs
121-536-32-166E	60"	36"	24"	24 5/8"	16 1/8"	1 1/8"	208 lbs
121-536-35-166E	60"	36"	24"	24 5/8"	16 1/8"	1 1/8"	208 lbs
121-624-30-166E	72"	24"	11 1/2"	12"	9 3/4"	2 1/4"	169 lbs
121-624-32-166E	72"	24"	11 1/2"	12"	9 3/4"	2 1/4"	169 lbs
121-624-35-166E	72"	24"	11 1/2"	12"	9 3/4"	2 1/4"	169 lbs
121-629-30-166E	72"	29"	16 1/2"	17"	12 1/4"	2 1/4"	196 lbs
121-629-32-166E	72"	29"	16 1/2"	17"	12 1/4"	2 1/4"	196 lbs
121-629-35-166E	72"	29"	16 1/2"	17"	12 1/4"	2 1/4"	196 lbs
121-636-30-166E	72"	36"	24"	24 5/8"	16 1/8"	1 1/8"	235 lbs
121-636-32-166E	72"	36"	24"	24 5/8"	16 1/8"	1 1/8"	235 lbs
121-636-35-166E	72"	36"	24"	24 5/8"	16 1/8"	1 1/8"	235 lbs

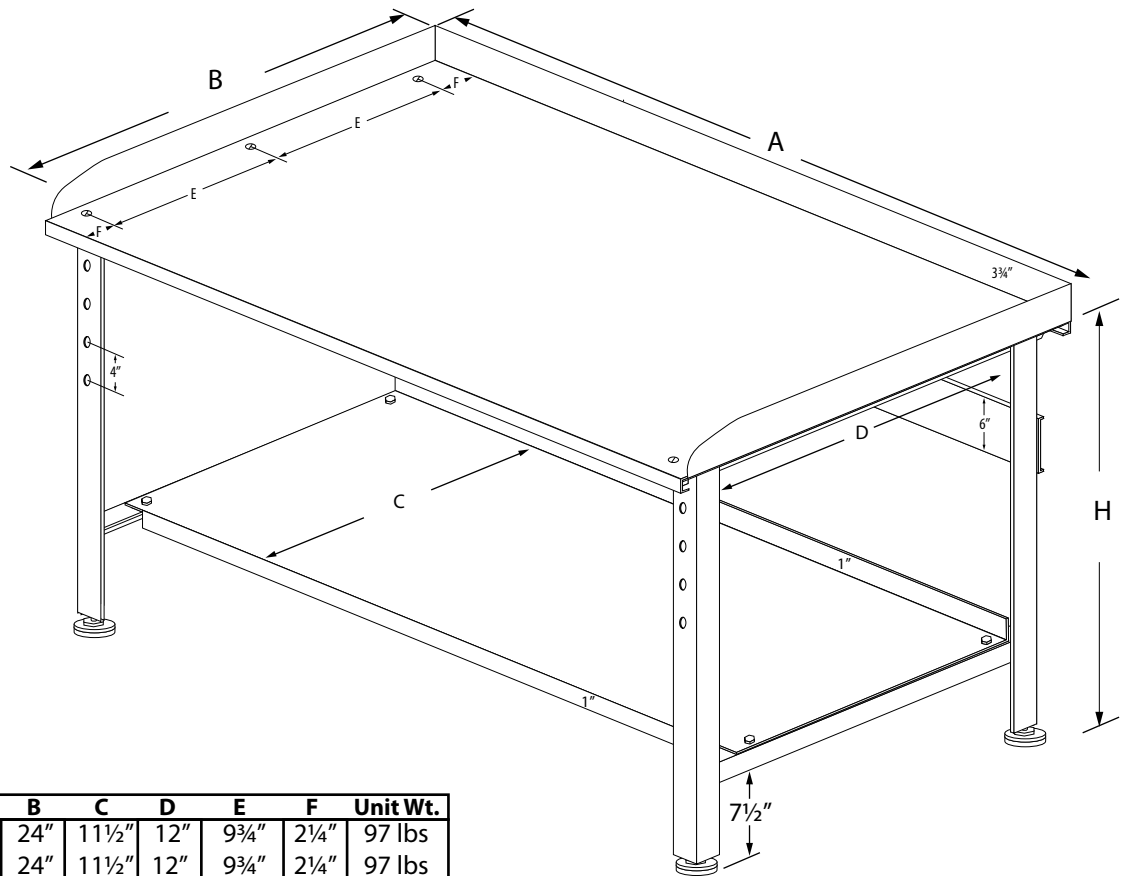
Product #	A	B	C	D	E	F	Unit Wt.
121-829-30-166E	96"	29"	16 1/2"	17"	12 1/4"	2 1/4"	260 lbs
121-829-32-166E	96"	29"	16 1/2"	17"	12 1/4"	2 1/4"	260 lbs
121-829-35-166E	96"	29"	16 1/2"	17"	12 1/4"	2 1/4"	260 lbs
121-836-30-166E	96"	36"	24"	24 5/8"	16 1/8"	1 1/8"	314 lbs
121-836-32-166E	96"	36"	24"	24 5/8"	16 1/8"	1 1/8"	314 lbs
121-836-35-166E	96"	36"	24"	24 5/8"	16 1/8"	1 1/8"	314 lbs
121-1029-30-166E	120"	29"	16 1/2"	17"	12 1/4"	2 1/4"	305 lbs
121-1029-32-166E	120"	29"	16 1/2"	17"	12 1/4"	2 1/4"	305 lbs
121-1029-35-166E	120"	29"	16 1/2"	17"	12 1/4"	2 1/4"	305 lbs
121-1036-30-166E	120"	36"	24"	24 5/8"	16 1/8"	1 1/8"	369 lbs
121-1036-32-166E	120"	36"	24"	24 5/8"	16 1/8"	1 1/8"	369 lbs
121-1036-35-166E	120"	36"	24"	24 5/8"	16 1/8"	1 1/8"	369 lbs

SHIPS: Knocked Down
SLR: 3,300 - 4,920 lbs.

ARC WELDED MEDIUM DUTY MACHINE TABLE

121-166E / 121-166XE

- (1) 12ga Formed Bench Top
- (2) or (3) Arc Welded Bench Legs
- (1) 16ga Formed Stringer
- (1) 12ga Formed Lower Shelf
- (1) 16ga Formed Back & End Plates
- (4) or (6) 5" Phenolic Casters



Product #	A	B	C	D	E	F	Unit Wt.
121-324-30	36"	24"	11½"	12"	9¾"	2¼"	97 lbs
121-324-32	36"	24"	11½"	12"	9¾"	2¼"	97 lbs
121-324-35	36"	24"	11½"	12"	9¾"	2¼"	97 lbs
121-329-30	36"	29"	16½"	17"	12¼"	2¼"	112 lbs
121-329-32	36"	29"	16½"	17"	12¼"	2¼"	112 lbs
121-329-35	36"	29"	16½"	17"	12¼"	2¼"	112 lbs
121-424-30	48"	24"	11½"	12"	9¾"	2¼"	114 lbs
121-424-32	48"	24"	11½"	12"	9¾"	2¼"	114 lbs
121-424-35	48"	24"	11½"	12"	9¾"	2¼"	114 lbs
121-429-30	48"	29"	16½"	17"	12¼"	2¼"	133 lbs
121-429-32	48"	29"	16½"	17"	12¼"	2¼"	133 lbs
121-429-35	48"	29"	16½"	17"	12¼"	2¼"	133 lbs
121-524-30	60"	24"	11½"	12"	9¾"	2¼"	133 lbs
121-524-32	60"	24"	11½"	12"	9¾"	2¼"	133 lbs
121-524-35	60"	24"	11½"	12"	9¾"	2¼"	133 lbs
121-529-30	60"	29"	16½"	17"	12¼"	2¼"	157 lbs
121-529-32	60"	29"	16½"	17"	12¼"	2¼"	157 lbs
121-529-35	60"	29"	16½"	17"	12¼"	2¼"	157 lbs
121-536-30	60"	36"	24"	24⅝"	16⅞"	1⅞"	190 lbs
121-536-32	60"	36"	24"	24⅝"	16⅞"	1⅞"	190 lbs
121-536-35	60"	36"	24"	24⅝"	16⅞"	1⅞"	190 lbs
121-624-30	72"	24"	11½"	12"	9¾"	2¼"	151 lbs
121-624-32	72"	24"	11½"	12"	9¾"	2¼"	151 lbs
121-624-35	72"	24"	11½"	12"	9¾"	2¼"	151 lbs
121-629-30	72"	29"	16½"	17"	12¼"	2¼"	178 lbs
121-629-32	72"	29"	16½"	17"	12¼"	2¼"	178 lbs
121-629-35	72"	29"	16½"	17"	12¼"	2¼"	178 lbs
121-636-30	72"	36"	24"	24⅝"	16⅞"	1⅞"	217 lbs
121-636-32	72"	36"	24"	24⅝"	16⅞"	1⅞"	217 lbs
121-636-35	72"	36"	24"	24⅝"	16⅞"	1⅞"	217 lbs

Product #	A	B	C	D	E	F	Unit Wt.
121-829-30	96"	29"	16½"	17"	12¼"	2¼"	242 lbs
121-829-32	96"	29"	16½"	17"	12¼"	2¼"	242 lbs
121-829-35	96"	29"	16½"	17"	12¼"	2¼"	242 lbs
121-836-30	96"	36"	24"	24⅝"	16⅞"	1⅞"	296 lbs
121-836-32	96"	36"	24"	24⅝"	16⅞"	1⅞"	296 lbs
121-836-35	96"	36"	24"	24⅝"	16⅞"	1⅞"	296 lbs
121-1029-30	120"	29"	16½"	17"	12¼"	2¼"	287 lbs
121-1029-32	120"	29"	16½"	17"	12¼"	2¼"	287 lbs
121-1029-35	120"	29"	16½"	17"	12¼"	2¼"	287 lbs
121-1036-30	120"	36"	24"	24⅝"	16⅞"	1⅞"	351 lbs
121-1036-32	120"	36"	24"	24⅝"	16⅞"	1⅞"	351 lbs
121-1036-35	120"	36"	24"	24⅝"	16⅞"	1⅞"	351 lbs

**SHIPS: Knocked Down
SLR: 3,000-8,000 lbs.**

ARC WELDED MEDIUM DUTY MACHINE TABLE

121-G

- (1) 12ga Formed Bench Top
- (2) or (3) Arc Welded Bench Legs w/ Glides
- (1) 16ga Formed Stringer
- (1) 12ga Formed Lower Shelf
- (1) 16ga Formed Back & End Plates