

Product #	A	B	C	D	E	F	Unit Wt.
124-324-30	36"	24"	11½"	12"	9¾"	2¼"	89 lbs
124-324-32	36"	24"	11½"	12"	9¾"	2¼"	89 lbs
124-324-35	36"	24"	11½"	12"	9¾"	2¼"	89 lbs
124-329-30	36"	29"	16½"	17"	12¼"	2¼"	103 lbs
124-329-32	36"	29"	16½"	17"	12¼"	2¼"	103 lbs
124-329-35	36"	29"	16½"	17"	12¼"	2¼"	103 lbs
124-424-30	48"	24"	11½"	12"	9¾"	2¼"	105 lbs
124-424-32	48"	24"	11½"	12"	9¾"	2¼"	105 lbs
124-424-35	48"	24"	11½"	12"	9¾"	2¼"	105 lbs
124-429-30	48"	29"	16½"	17"	12¼"	2¼"	123 lbs
124-429-32	48"	29"	16½"	17"	12¼"	2¼"	123 lbs
124-429-35	48"	29"	16½"	17"	12¼"	2¼"	123 lbs
124-524-30	60"	24"	11½"	12"	9¾"	2¼"	123 lbs
124-524-32	60"	24"	11½"	12"	9¾"	2¼"	123 lbs
124-524-35	60"	24"	11½"	12"	9¾"	2¼"	123 lbs
124-529-30	60"	29"	16½"	17"	12¼"	2¼"	145 lbs
124-529-32	60"	29"	16½"	17"	12¼"	2¼"	145 lbs
124-529-35	60"	29"	16½"	17"	12¼"	2¼"	145 lbs
124-536-30	60"	36"	24"	24⅝"	16⅞"	1⅞"	177 lbs
124-536-32	60"	36"	24"	24⅝"	16⅞"	1⅞"	177 lbs
124-536-35	60"	36"	24"	24⅝"	16⅞"	1⅞"	177 lbs
124-624-30	72"	24"	11½"	12"	9¾"	2¼"	139 lbs
124-624-32	72"	24"	11½"	12"	9¾"	2¼"	139 lbs
124-624-35	72"	24"	11½"	12"	9¾"	2¼"	139 lbs
124-629-30	72"	29"	16½"	17"	12¼"	2¼"	165 lbs
124-629-32	72"	29"	16½"	17"	12¼"	2¼"	165 lbs
124-629-35	72"	29"	16½"	17"	12¼"	2¼"	165 lbs
124-636-30	72"	36"	24"	24⅝"	16⅞"	1⅞"	201 lbs
124-636-32	72"	36"	24"	24⅝"	16⅞"	1⅞"	201 lbs
124-636-35	72"	36"	24"	24⅝"	16⅞"	1⅞"	201 lbs

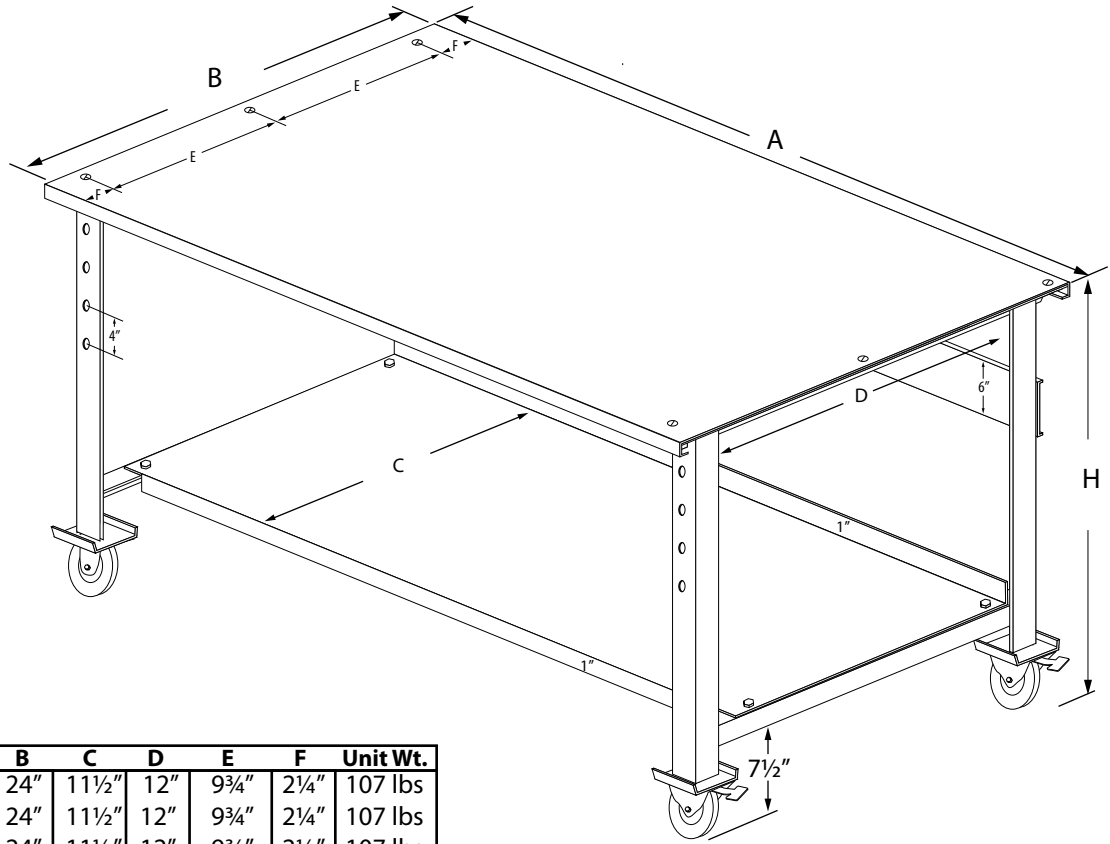
Product #	A	B	C	D	E	F	Unit Wt.
124-829-30	96"	29"	16½"	17"	12¼"	2¼"	227 lbs
124-829-32	96"	29"	16½"	17"	12¼"	2¼"	227 lbs
124-829-35	96"	29"	16½"	17"	12¼"	2¼"	227 lbs
124-836-30	96"	36"	24"	24⅝"	16⅞"	1⅞"	280 lbs
124-836-32	96"	36"	24"	24⅝"	16⅞"	1⅞"	280 lbs
124-836-35	96"	36"	24"	24⅝"	16⅞"	1⅞"	280 lbs
124-1029-30	120"	29"	16½"	17"	12¼"	2¼"	269 lbs
124-1029-32	120"	29"	16½"	17"	12¼"	2¼"	269 lbs
124-1029-35	120"	29"	16½"	17"	12¼"	2¼"	269 lbs
124-1036-30	120"	36"	24"	24⅝"	16⅞"	1⅞"	332 lbs
124-1036-32	120"	36"	24"	24⅝"	16⅞"	1⅞"	332 lbs
124-1036-35	120"	36"	24"	24⅝"	16⅞"	1⅞"	332 lbs

**SHIPS: Knocked Down**  
**SLR: 5,000-12,000 lbs.**

ARC WELDED MEDIUM DUTY MACHINE TABLE

**124**

- (1) 12ga Formed Bench Top
- (2) or (3) Arc Welded Bench Legs
- (1) 16ga Formed Stringer
- (1) 12ga Formed Lower Shelf
- (1) 16ga Formed Back & End Plates



Product #	A	B	C	D	E	F	Unit Wt.
124-324-30-166R	36"	24"	11½"	12"	9¾"	2¼"	107 lbs
124-324-32-166R	36"	24"	11½"	12"	9¾"	2¼"	107 lbs
124-324-35-166R	36"	24"	11½"	12"	9¾"	2¼"	107 lbs
124-329-30-166R	36"	29"	16½"	17"	12¼"	2¼"	121 lbs
124-329-32-166R	36"	29"	16½"	17"	12¼"	2¼"	121 lbs
124-329-35-166R	36"	29"	16½"	17"	12¼"	2¼"	121 lbs
124-424-30-166R	48"	24"	11½"	12"	9¾"	2¼"	123 lbs
124-424-32-166R	48"	24"	11½"	12"	9¾"	2¼"	123 lbs
124-424-35-166R	48"	24"	11½"	12"	9¾"	2¼"	123 lbs
124-429-30-166R	48"	29"	16½"	17"	12¼"	2¼"	141 lbs
124-429-32-166R	48"	29"	16½"	17"	12¼"	2¼"	141 lbs
124-429-35-166R	48"	29"	16½"	17"	12¼"	2¼"	141 lbs
124-524-30-166R	60"	24"	11½"	12"	9¾"	2¼"	141 lbs
124-524-32-166R	60"	24"	11½"	12"	9¾"	2¼"	141 lbs
124-524-35-166R	60"	24"	11½"	12"	9¾"	2¼"	141 lbs
124-529-30-166R	60"	29"	16½"	17"	12¼"	2¼"	163 lbs
124-529-32-166R	60"	29"	16½"	17"	12¼"	2¼"	163 lbs
124-529-35-166R	60"	29"	16½"	17"	12¼"	2¼"	163 lbs
124-536-30-166R	60"	36"	24"	24⅝"	16⅞"	1⅞"	195 lbs
124-536-32-166R	60"	36"	24"	24⅝"	16⅞"	1⅞"	195 lbs
124-536-35-166R	60"	36"	24"	24⅝"	16⅞"	1⅞"	195 lbs
124-624-30-166R	72"	24"	11½"	12"	9¾"	2¼"	157 lbs
124-624-32-166R	72"	24"	11½"	12"	9¾"	2¼"	157 lbs
124-624-35-166R	72"	24"	11½"	12"	9¾"	2¼"	157 lbs
124-629-30-166R	72"	29"	16½"	17"	12¼"	2¼"	183 lbs
124-629-32-166R	72"	29"	16½"	17"	12¼"	2¼"	183 lbs
124-629-35-166R	72"	29"	16½"	17"	12¼"	2¼"	183 lbs
124-636-30-166R	72"	36"	24"	24⅝"	16⅞"	1⅞"	219 lbs
124-636-32-166R	72"	36"	24"	24⅝"	16⅞"	1⅞"	219 lbs
124-636-35-166R	72"	36"	24"	24⅝"	16⅞"	1⅞"	219 lbs

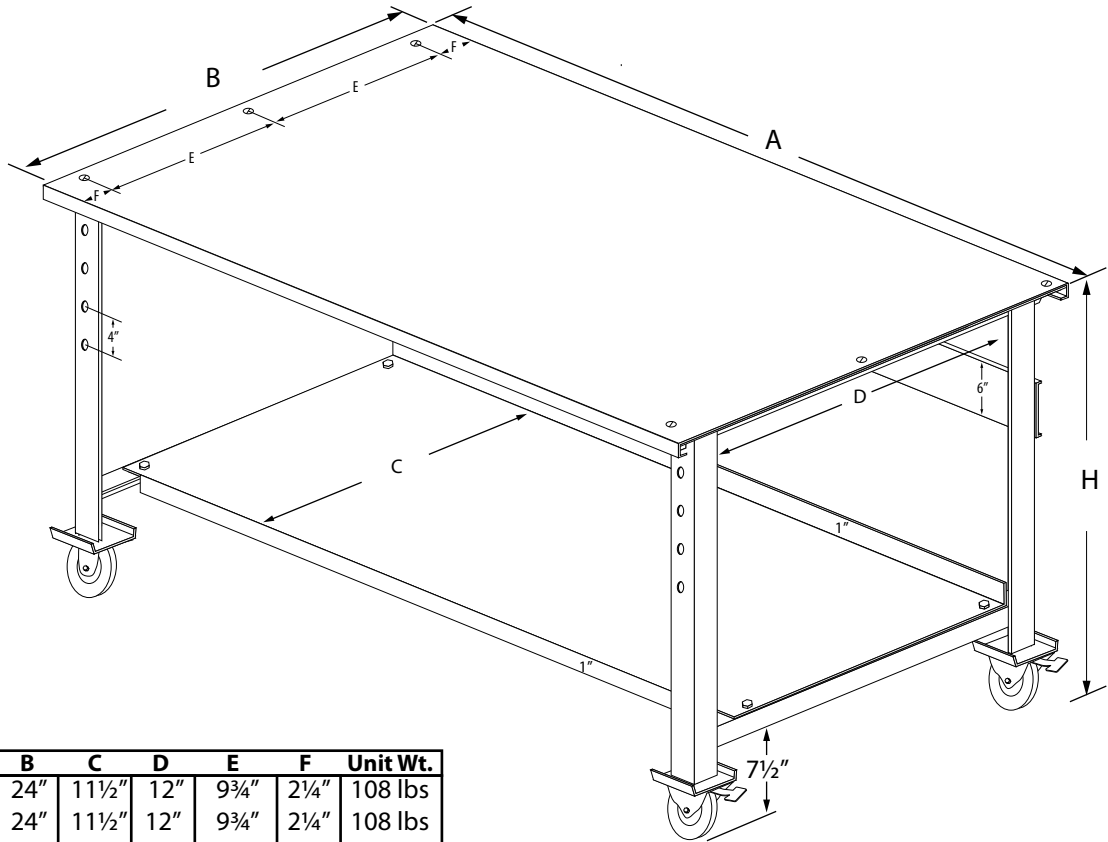
Product #	A	B	C	D	E	F	Unit Wt.
124-829-30-166R	96"	29"	16½"	17"	12¼"	2¼"	245 lbs
124-829-32-166R	96"	29"	16½"	17"	12¼"	2¼"	245 lbs
124-829-35-166R	96"	29"	16½"	17"	12¼"	2¼"	245 lbs
124-836-30-166R	96"	36"	24"	24⅝"	16⅞"	1⅞"	298 lbs
124-836-32-166R	96"	36"	24"	24⅝"	16⅞"	1⅞"	298 lbs
124-836-35-166R	96"	36"	24"	24⅝"	16⅞"	1⅞"	298 lbs
124-1029-30-166R	120"	29"	16½"	17"	12¼"	2¼"	287 lbs
124-1029-32-166R	120"	29"	16½"	17"	12¼"	2¼"	287 lbs
124-1029-35-166R	120"	29"	16½"	17"	12¼"	2¼"	287 lbs
124-1036-30-166R	120"	36"	24"	24⅝"	16⅞"	1⅞"	350 lbs
124-1036-32-166R	120"	36"	24"	24⅝"	16⅞"	1⅞"	350 lbs
124-1036-35-166R	120"	36"	24"	24⅝"	16⅞"	1⅞"	350 lbs

**SHIPS: Knocked Down**  
**SLR: 1,400 - 2,100 lbs.**

ARC WELDED MEDIUM DUTY MACHINE TABLE

## 124-166R / 124-166XR

- (1) 12ga Formed Bench Top
- (2) or (3) Arc Welded Bench Legs
- (1) 16ga Formed Stringer
- (1) 12ga Formed Lower Shelf
- (1) 16ga Formed Back & End Plates
- (4) or (6) 5" Polyurethane Casters



Product #	A	B	C	D	E	F	Unit Wt.
124-324-30-166E	36"	24"	11½"	12"	9¾"	2¼"	108 lbs
124-324-32-166E	36"	24"	11½"	12"	9¾"	2¼"	108 lbs
124-324-35-166E	36"	24"	11½"	12"	9¾"	2¼"	108 lbs
124-329-30-166E	36"	29"	16½"	17"	12¼"	2¼"	122 lbs
124-329-32-166E	36"	29"	16½"	17"	12¼"	2¼"	122 lbs
124-329-35-166E	36"	29"	16½"	17"	12¼"	2¼"	122 lbs
124-424-30-166E	48"	24"	11½"	12"	9¾"	2¼"	124 lbs
124-424-32-166E	48"	24"	11½"	12"	9¾"	2¼"	124 lbs
124-424-35-166E	48"	24"	11½"	12"	9¾"	2¼"	124 lbs
124-429-30-166E	48"	29"	16½"	17"	12¼"	2¼"	142 lbs
124-429-32-166E	48"	29"	16½"	17"	12¼"	2¼"	142 lbs
124-429-35-166E	48"	29"	16½"	17"	12¼"	2¼"	142 lbs
124-524-30-166E	60"	24"	11½"	12"	9¾"	2¼"	142 lbs
124-524-32-166E	60"	24"	11½"	12"	9¾"	2¼"	142 lbs
124-524-35-166E	60"	24"	11½"	12"	9¾"	2¼"	142 lbs
124-529-30-166E	60"	29"	16½"	17"	12¼"	2¼"	164 lbs
124-529-32-166E	60"	29"	16½"	17"	12¼"	2¼"	164 lbs
124-529-35-166E	60"	29"	16½"	17"	12¼"	2¼"	164 lbs
124-536-30-166E	60"	36"	24"	24⅝"	16⅞"	1⅞"	196 lbs
124-536-32-166E	60"	36"	24"	24⅝"	16⅞"	1⅞"	196 lbs
124-536-35-166E	60"	36"	24"	24⅝"	16⅞"	1⅞"	196 lbs
124-624-30-166E	72"	24"	11½"	12"	9¾"	2¼"	158 lbs
124-624-32-166E	72"	24"	11½"	12"	9¾"	2¼"	158 lbs
124-624-35-166E	72"	24"	11½"	12"	9¾"	2¼"	158 lbs
124-629-30-166E	72"	29"	16½"	17"	12¼"	2¼"	184 lbs
124-629-32-166E	72"	29"	16½"	17"	12¼"	2¼"	184 lbs
124-629-35-166E	72"	29"	16½"	17"	12¼"	2¼"	184 lbs
124-636-30-166E	72"	36"	24"	24⅝"	16⅞"	1⅞"	220 lbs
124-636-32-166E	72"	36"	24"	24⅝"	16⅞"	1⅞"	220 lbs
124-636-35-166E	72"	36"	24"	24⅝"	16⅞"	1⅞"	220 lbs

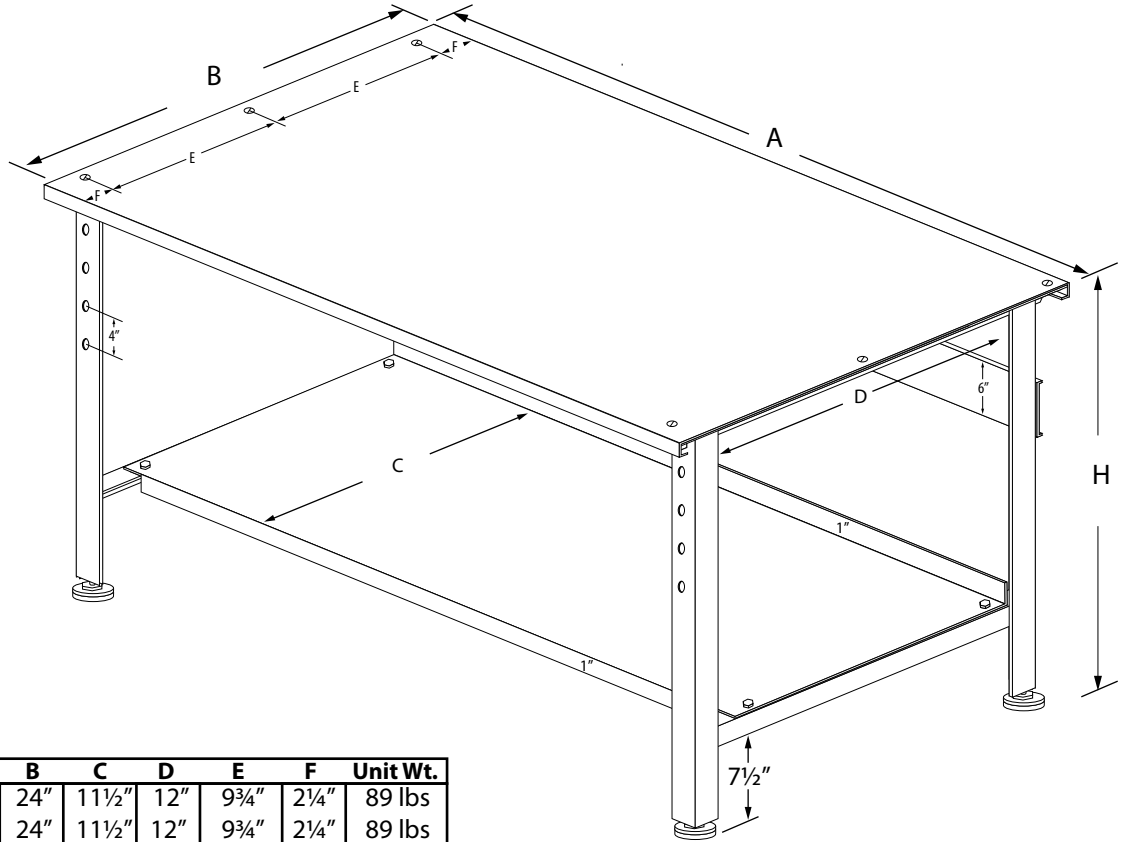
Product #	A	B	C	D	E	F	Unit Wt.
124-829-30-166E	96"	29"	16½"	17"	12¼"	2¼"	246 lbs
124-829-32-166E	96"	29"	16½"	17"	12¼"	2¼"	246 lbs
124-829-35-166E	96"	29"	16½"	17"	12¼"	2¼"	246 lbs
124-836-30-166E	96"	36"	24"	24⅝"	16⅞"	1⅞"	299 lbs
124-836-32-166E	96"	36"	24"	24⅝"	16⅞"	1⅞"	299 lbs
124-836-35-166E	96"	36"	24"	24⅝"	16⅞"	1⅞"	299 lbs
124-1029-30-166E	120"	29"	16½"	17"	12¼"	2¼"	288 lbs
124-1029-32-166E	120"	29"	16½"	17"	12¼"	2¼"	288 lbs
124-1029-35-166E	120"	29"	16½"	17"	12¼"	2¼"	288 lbs
124-1036-30-166E	120"	36"	24"	24⅝"	16⅞"	1⅞"	351 lbs
124-1036-32-166E	120"	36"	24"	24⅝"	16⅞"	1⅞"	351 lbs
124-1036-35-166E	120"	36"	24"	24⅝"	16⅞"	1⅞"	351 lbs

**SHIPS: Knocked Down**  
**SLR: 3,300 - 4,920 lbs.**

ARC WELDED MEDIUM DUTY MACHINE TABLE

## 124-166E / 124-166XE

- (1) 12ga Formed Bench Top
- (2) or (3) Arc Welded Bench Legs
- (1) 16ga Formed Stringer
- (1) 12ga Formed Lower Shelf
- (1) 16ga Formed Back & End Plates
- (4) or (6) 6" Phenolic Casters



Product #	A	B	C	D	E	F	Unit Wt.
124-324-30-G	36"	24"	11½"	12"	9¾"	2¼"	89 lbs
124-324-32-G	36"	24"	11½"	12"	9¾"	2¼"	89 lbs
124-324-35-G	36"	24"	11½"	12"	9¾"	2¼"	89 lbs
124-329-30-G	36"	29"	16½"	17"	12¼"	2¼"	103 lbs
124-329-32-G	36"	29"	16½"	17"	12¼"	2¼"	103 lbs
124-329-35-G	36"	29"	16½"	17"	12¼"	2¼"	103 lbs
124-424-30-G	48"	24"	11½"	12"	9¾"	2¼"	105 lbs
124-424-32-G	48"	24"	11½"	12"	9¾"	2¼"	105 lbs
124-424-35-G	48"	24"	11½"	12"	9¾"	2¼"	105 lbs
124-429-30-G	48"	29"	16½"	17"	12¼"	2¼"	123 lbs
124-429-32-G	48"	29"	16½"	17"	12¼"	2¼"	123 lbs
124-429-35-G	48"	29"	16½"	17"	12¼"	2¼"	123 lbs
124-524-30-G	60"	24"	11½"	12"	9¾"	2¼"	123 lbs
124-524-32-G	60"	24"	11½"	12"	9¾"	2¼"	123 lbs
124-524-35-G	60"	24"	11½"	12"	9¾"	2¼"	123 lbs
124-529-30-G	60"	29"	16½"	17"	12¼"	2¼"	145 lbs
124-529-32-G	60"	29"	16½"	17"	12¼"	2¼"	145 lbs
124-529-35-G	60"	29"	16½"	17"	12¼"	2¼"	145 lbs
124-536-30-G	60"	36"	24"	24⅝"	16⅞"	1⅞"	177 lbs
124-536-32-G	60"	36"	24"	24⅝"	16⅞"	1⅞"	177 lbs
124-536-35-G	60"	36"	24"	24⅝"	16⅞"	1⅞"	177 lbs
124-624-30-G	72"	24"	11½"	12"	9¾"	2¼"	139 lbs
124-624-32-G	72"	24"	11½"	12"	9¾"	2¼"	139 lbs
124-624-35-G	72"	24"	11½"	12"	9¾"	2¼"	139 lbs
124-629-30-G	72"	29"	16½"	17"	12¼"	2¼"	165 lbs
124-629-32-G	72"	29"	16½"	17"	12¼"	2¼"	165 lbs
124-629-35-G	72"	29"	16½"	17"	12¼"	2¼"	165 lbs
124-636-30-G	72"	36"	24"	24⅝"	16⅞"	1⅞"	201 lbs
124-636-32-G	72"	36"	24"	24⅝"	16⅞"	1⅞"	201 lbs
124-636-35-G	72"	36"	24"	24⅝"	16⅞"	1⅞"	201 lbs

Product #	A	B	C	D	E	F	Unit Wt.
124-829-30-G	96"	29"	16½"	17"	12¼"	2¼"	227 lbs
124-829-32-G	96"	29"	16½"	17"	12¼"	2¼"	227 lbs
124-829-35-G	96"	29"	16½"	17"	12¼"	2¼"	227 lbs
124-836-30-G	96"	36"	24"	24⅝"	16⅞"	1⅞"	280 lbs
124-836-32-G	96"	36"	24"	24⅝"	16⅞"	1⅞"	280 lbs
124-836-35-G	96"	36"	24"	24⅝"	16⅞"	1⅞"	280 lbs
124-1029-30-G	120"	29"	16½"	17"	12¼"	2¼"	269 lbs
124-1029-32-G	120"	29"	16½"	17"	12¼"	2¼"	269 lbs
124-1029-35-G	120"	29"	16½"	17"	12¼"	2¼"	269 lbs
124-1036-30-G	120"	36"	24"	24⅝"	16⅞"	1⅞"	332 lbs
124-1036-32-G	120"	36"	24"	24⅝"	16⅞"	1⅞"	332 lbs
124-1036-35-G	120"	36"	24"	24⅝"	16⅞"	1⅞"	332 lbs

**SHIPS: Knocked Down**  
**SLR: 3,000-8,000 lbs.**

ARC WELDED MEDIUM DUTY MACHINE TABLE

## 124-G

- (1) 12ga Formed Bench Top
- (2) or (3) Arc Welded Bench Legs w/ Glides
- (1) 16ga Formed Stringer
- (1) 12ga Formed Lower Shelf
- (1) 16ga Formed Back & End Plates