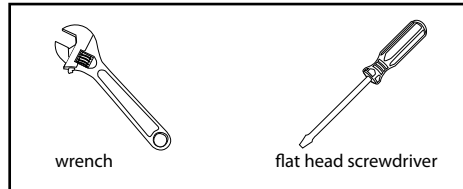


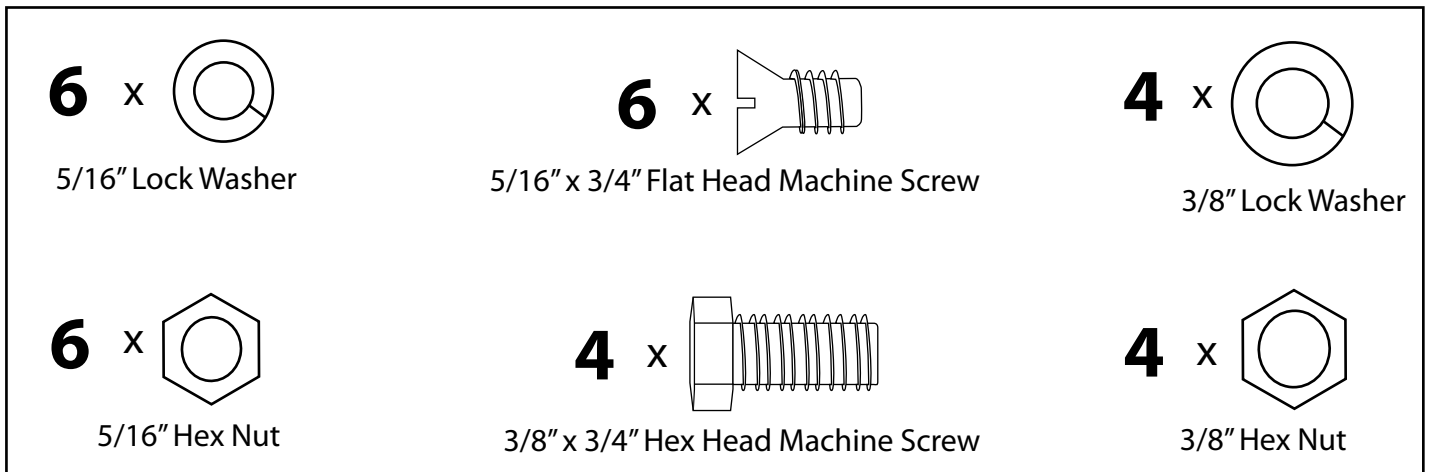
126 Steel Top Open Leg Bench Assembly Instructions

Tools Needed:



Includes:

- (2) or (3) Bench Legs • (1) Formed Channel Stringer • (1) Formed 12ga Steel Top

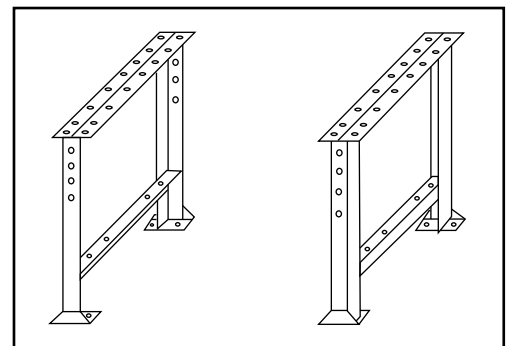


Note: (2) additional 3/8" x 3/4" Hex Head Machine Screws & (2) 5/16" x 3/4" Flat Head Machine Screws are provided for 8' & 10' benches.

Steps:

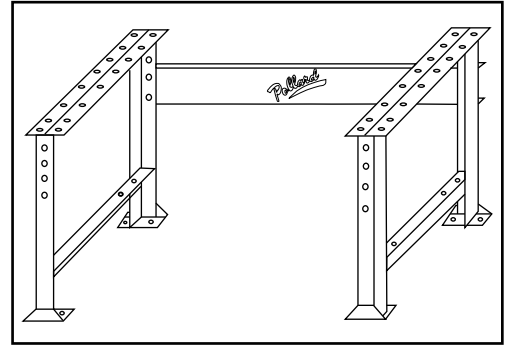
1

Stand legs upright and face as shown. *Note: 6' benches and under come with two legs, and 8' benches and over come with three legs.*



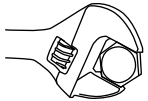
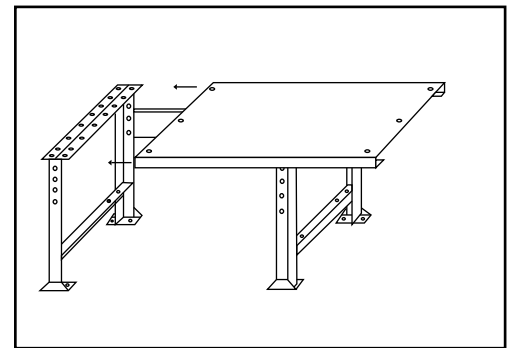
2

Attach stringer to the back leg uprights using (4) 3/8" x 3/4" Hex Head Machine Screws, 3/8" hex nuts, and 3/8" washers. **HAND TIGHTEN ONLY.**



3

Slide Top with back plate onto legs starting at either end matching holes in Bench Leg top. Use (6) 5/16" x 3/4" Flat Head Machine Screws with 5/16" Hex Nuts and Lock Washers. **HAND TIGHTEN ONLY.**



After top is in place, make sure bench is square and then, tighten all bolts, starting with the stringer.

