

Product #	A	B	D	E	F	Unit Wt.
126-324-30	36"	24"	12"	9 ³ / ₄ "	2 ¹ / ₄ "	75 lbs
126-324-32	36"	24"	12"	9 ³ / ₄ "	2 ¹ / ₄ "	75 lbs
126-324-35	36"	24"	12"	9 ³ / ₄ "	2 ¹ / ₄ "	75 lbs
126-329-30	36"	29"	17"	12 ¹ / ₄ "	2 ¹ / ₄ "	84 lbs
126-329-32	36"	29"	17"	12 ¹ / ₄ "	2 ¹ / ₄ "	84 lbs
126-329-35	36"	29"	17"	12 ¹ / ₄ "	2 ¹ / ₄ "	84 lbs
126-424-30	48"	24"	12"	9 ³ / ₄ "	2 ¹ / ₄ "	86 lbs
126-424-32	48"	24"	12"	9 ³ / ₄ "	2 ¹ / ₄ "	86 lbs
126-424-35	48"	24"	12"	9 ³ / ₄ "	2 ¹ / ₄ "	86 lbs
126-429-30	48"	29"	17"	12 ¹ / ₄ "	2 ¹ / ₄ "	97 lbs
126-429-32	48"	29"	17"	12 ¹ / ₄ "	2 ¹ / ₄ "	97 lbs
126-429-35	48"	29"	17"	12 ¹ / ₄ "	2 ¹ / ₄ "	97 lbs
126-524-30	60"	24"	12"	9 ³ / ₄ "	2 ¹ / ₄ "	98 lbs
126-524-32	60"	24"	12"	9 ³ / ₄ "	2 ¹ / ₄ "	98 lbs
126-524-35	60"	24"	12"	9 ³ / ₄ "	2 ¹ / ₄ "	98 lbs
126-529-30	60"	29"	17"	12 ¹ / ₄ "	2 ¹ / ₄ "	112 lbs
126-529-32	60"	29"	17"	12 ¹ / ₄ "	2 ¹ / ₄ "	112 lbs
126-529-35	60"	29"	17"	12 ¹ / ₄ "	2 ¹ / ₄ "	112 lbs
126-536-30	60"	36"	24 ⁵ / ₈ "	16 ¹ / ₈ "	1 ¹ / ₈ "	131 lbs
126-536-32	60"	36"	24 ⁵ / ₈ "	16 ¹ / ₈ "	1 ¹ / ₈ "	131 lbs
126-536-35	60"	36"	24 ⁵ / ₈ "	16 ¹ / ₈ "	1 ¹ / ₈ "	131 lbs
126-624-30	72"	24"	12"	9 ³ / ₄ "	2 ¹ / ₄ "	110 lbs
126-624-32	72"	24"	12"	9 ³ / ₄ "	2 ¹ / ₄ "	110 lbs
126-624-35	72"	24"	12"	9 ³ / ₄ "	2 ¹ / ₄ "	110 lbs
126-629-30	72"	29"	17"	12 ¹ / ₄ "	2 ¹ / ₄ "	125 lbs
126-629-32	72"	29"	17"	12 ¹ / ₄ "	2 ¹ / ₄ "	125 lbs
126-629-35	72"	29"	17"	12 ¹ / ₄ "	2 ¹ / ₄ "	125 lbs
126-636-30	72"	36"	24 ⁵ / ₈ "	16 ¹ / ₈ "	1 ¹ / ₈ "	147 lbs
126-636-32	72"	36"	24 ⁵ / ₈ "	16 ¹ / ₈ "	1 ¹ / ₈ "	147 lbs
126-636-35	72"	36"	24 ⁵ / ₈ "	16 ¹ / ₈ "	1 ¹ / ₈ "	147 lbs

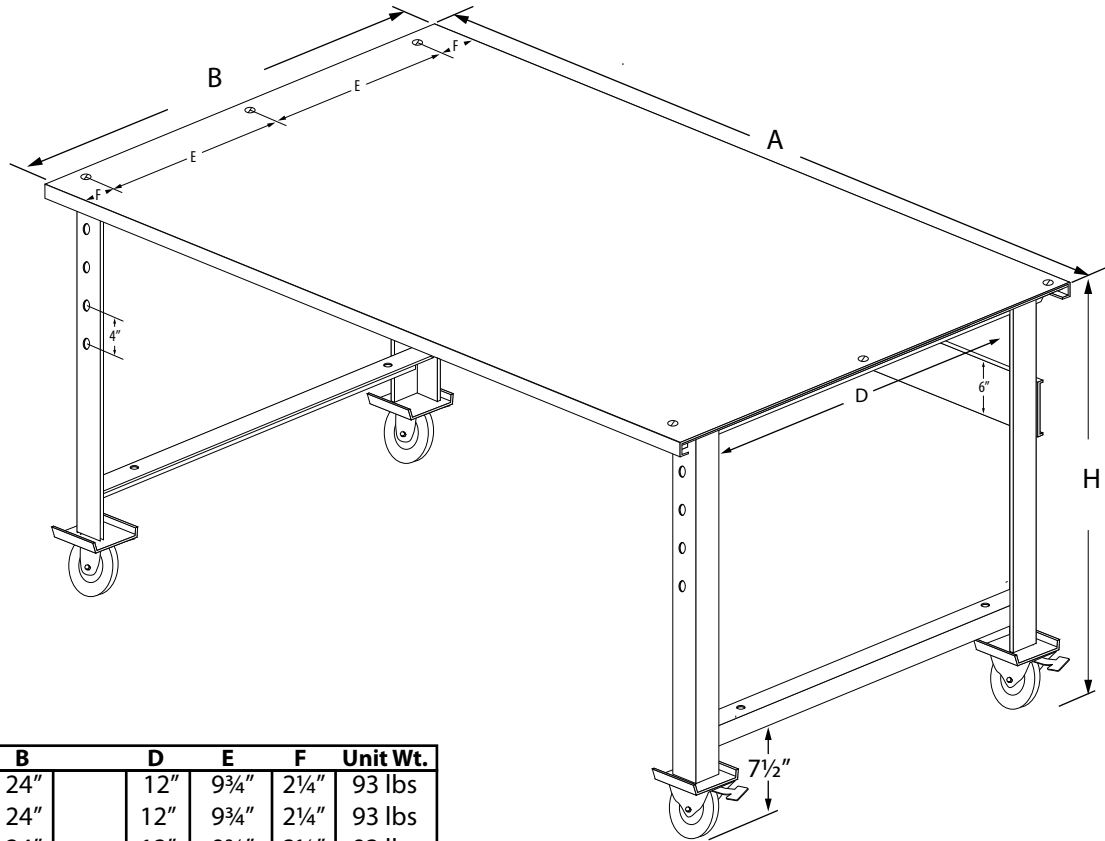
Product #	A	B	D	E	F	Unit Wt.
126-829-30	96"	29"	17"	12 ¹ / ₄ "	2 ¹ / ₄ "	174 lbs
126-829-32	96"	29"	17"	12 ¹ / ₄ "	2 ¹ / ₄ "	174 lbs
126-829-35	96"	29"	17"	12 ¹ / ₄ "	2 ¹ / ₄ "	174 lbs
126-836-30	96"	36"	24 ⁵ / ₈ "	16 ¹ / ₈ "	1 ¹ / ₈ "	205 lbs
126-836-32	96"	36"	24 ⁵ / ₈ "	16 ¹ / ₈ "	1 ¹ / ₈ "	205 lbs
126-836-35	96"	36"	24 ⁵ / ₈ "	16 ¹ / ₈ "	1 ¹ / ₈ "	205 lbs
126-1029-30	120"	29"	17"	12 ¹ / ₄ "	2 ¹ / ₄ "	202 lbs
126-1029-32	120"	29"	17"	12 ¹ / ₄ "	2 ¹ / ₄ "	202 lbs
126-1029-35	120"	29"	17"	12 ¹ / ₄ "	2 ¹ / ₄ "	202 lbs
126-1036-30	120"	36"	24 ⁵ / ₈ "	16 ¹ / ₈ "	1 ¹ / ₈ "	238 lbs
126-1036-32	120"	36"	24 ⁵ / ₈ "	16 ¹ / ₈ "	1 ¹ / ₈ "	238 lbs
126-1036-35	120"	36"	24 ⁵ / ₈ "	16 ¹ / ₈ "	1 ¹ / ₈ "	238 lbs

SHIPS: Knocked Down
SLR: 5,000-12,000 lbs.

ARC WELDED MEDIUM DUTY MACHINE TABLE

126

- (1) 12ga Formed Bench Top
- (2) or (3) Arc Welded Bench Legs
- (1) 16ga Formed Stringer



Product #	A	B	D	E	F	Unit Wt.	
126-324-30-166R	36"	24"		12"	9 ³ / ₄ "	2 ¹ / ₄ "	93 lbs
126-324-32-166R	36"	24"		12"	9 ³ / ₄ "	2 ¹ / ₄ "	93 lbs
126-324-35-166R	36"	24"		12"	9 ³ / ₄ "	2 ¹ / ₄ "	93 lbs
126-329-30-166R	36"	29"		17"	12 ¹ / ₄ "	2 ¹ / ₄ "	102 lbs
126-329-32-166R	36"	29"		17"	12 ¹ / ₄ "	2 ¹ / ₄ "	102 lbs
126-329-35-166R	36"	29"		17"	12 ¹ / ₄ "	2 ¹ / ₄ "	102 lbs
126-424-30-166R	48"	24"		12"	9 ³ / ₄ "	2 ¹ / ₄ "	104 lbs
126-424-32-166R	48"	24"		12"	9 ³ / ₄ "	2 ¹ / ₄ "	104 lbs
126-424-35-166R	48"	24"		12"	9 ³ / ₄ "	2 ¹ / ₄ "	104 lbs
126-429-30-166R	48"	29"		17"	12 ¹ / ₄ "	2 ¹ / ₄ "	115 lbs
126-429-32-166R	48"	29"		17"	12 ¹ / ₄ "	2 ¹ / ₄ "	115 lbs
126-429-35-166R	48"	29"		17"	12 ¹ / ₄ "	2 ¹ / ₄ "	115 lbs
126-524-30-166R	60"	24"		12"	9 ³ / ₄ "	2 ¹ / ₄ "	116 lbs
126-524-32-166R	60"	24"		12"	9 ³ / ₄ "	2 ¹ / ₄ "	116 lbs
126-524-35-166R	60"	24"		12"	9 ³ / ₄ "	2 ¹ / ₄ "	116 lbs
126-529-30-166R	60"	29"		17"	12 ¹ / ₄ "	2 ¹ / ₄ "	130 lbs
126-529-32-166R	60"	29"		17"	12 ¹ / ₄ "	2 ¹ / ₄ "	130 lbs
126-529-35-166R	60"	29"		17"	12 ¹ / ₄ "	2 ¹ / ₄ "	130 lbs
126-536-30-166R	60"	36"		24 ⁵ / ₈ "	16 ¹ / ₈ "	1 ¹ / ₈ "	149 lbs
126-536-32-166R	60"	36"		24 ⁵ / ₈ "	16 ¹ / ₈ "	1 ¹ / ₈ "	149 lbs
126-536-35-166R	60"	36"		24 ⁵ / ₈ "	16 ¹ / ₈ "	1 ¹ / ₈ "	149 lbs
126-624-30-166R	72"	24"		12"	9 ³ / ₄ "	2 ¹ / ₄ "	128 lbs
126-624-32-166R	72"	24"		12"	9 ³ / ₄ "	2 ¹ / ₄ "	128 lbs
126-624-35-166R	72"	24"		12"	9 ³ / ₄ "	2 ¹ / ₄ "	128 lbs
126-629-30-166R	72"	29"		17"	12 ¹ / ₄ "	2 ¹ / ₄ "	143 lbs
126-629-32-166R	72"	29"		17"	12 ¹ / ₄ "	2 ¹ / ₄ "	143 lbs
126-629-35-166R	72"	29"		17"	12 ¹ / ₄ "	2 ¹ / ₄ "	143 lbs
126-636-30-166R	72"	36"		24 ⁵ / ₈ "	16 ¹ / ₈ "	1 ¹ / ₈ "	165 lbs
126-636-32-166R	72"	36"		24 ⁵ / ₈ "	16 ¹ / ₈ "	1 ¹ / ₈ "	165 lbs
126-636-35-166R	72"	36"		24 ⁵ / ₈ "	16 ¹ / ₈ "	1 ¹ / ₈ "	165 lbs

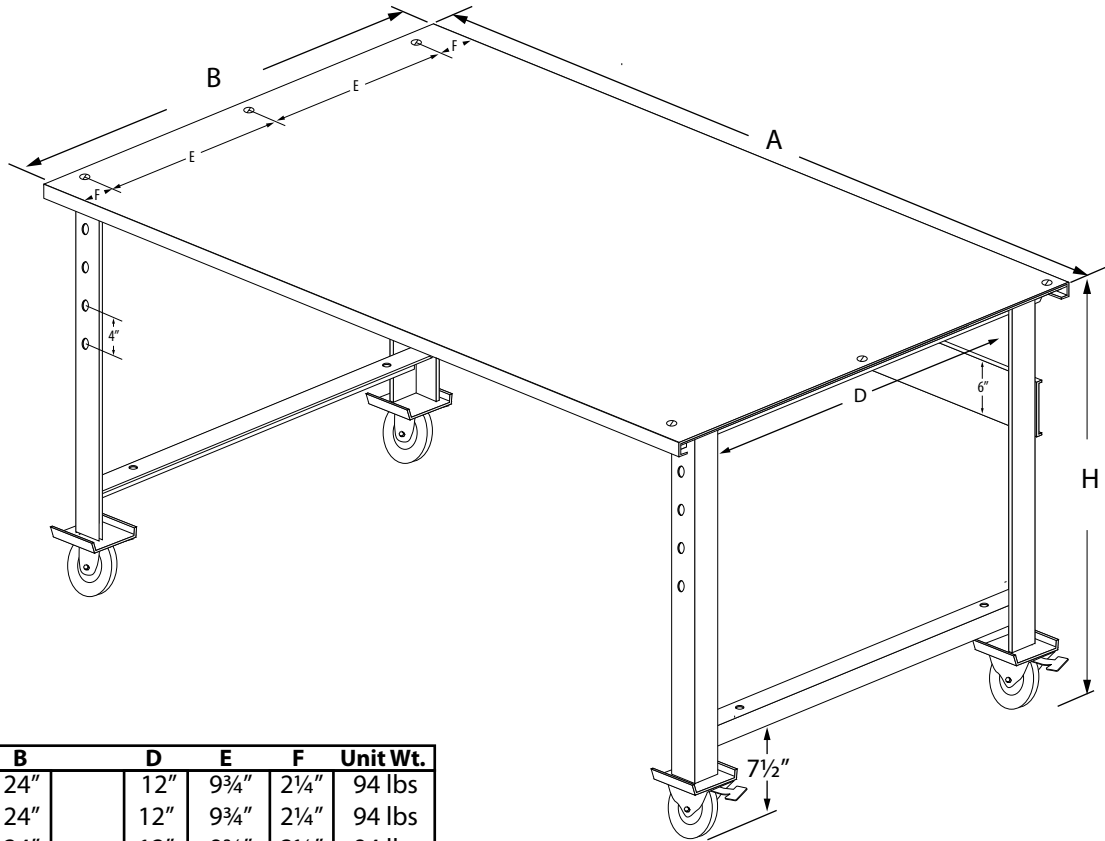
Product #	A	B	D	E	F	Unit Wt.	
126-829-30-166R	96"	29"		17"	12 ¹ / ₄ "	2 ¹ / ₄ "	192 lbs
126-829-32-166R	96"	29"		17"	12 ¹ / ₄ "	2 ¹ / ₄ "	192 lbs
126-829-35-166R	96"	29"		17"	12 ¹ / ₄ "	2 ¹ / ₄ "	192 lbs
126-836-30-166R	96"	36"		24 ⁵ / ₈ "	16 ¹ / ₈ "	1 ¹ / ₈ "	223 lbs
126-836-32-166R	96"	36"		24 ⁵ / ₈ "	16 ¹ / ₈ "	1 ¹ / ₈ "	223 lbs
126-836-35-166R	96"	36"		24 ⁵ / ₈ "	16 ¹ / ₈ "	1 ¹ / ₈ "	223 lbs
126-1029-30-166R	120"	29"		17"	12 ¹ / ₄ "	2 ¹ / ₄ "	220 lbs
126-1029-32-166R	120"	29"		17"	12 ¹ / ₄ "	2 ¹ / ₄ "	220 lbs
126-1029-35-166R	120"	29"		17"	12 ¹ / ₄ "	2 ¹ / ₄ "	220 lbs
126-1036-30-166R	120"	36"		24 ⁵ / ₈ "	16 ¹ / ₈ "	1 ¹ / ₈ "	256 lbs
126-1036-32-166R	120"	36"		24 ⁵ / ₈ "	16 ¹ / ₈ "	1 ¹ / ₈ "	256 lbs
126-1036-35-166R	120"	36"		24 ⁵ / ₈ "	16 ¹ / ₈ "	1 ¹ / ₈ "	256 lbs

SHIPS: Knocked Down
SLR: 1,400 - 2,100 lbs.

ARC WELDED MEDIUM DUTY MACHINE TABLE

126-166R / 126-166XR

- (1) 12ga Formed Bench Top
- (2) or (3) Arc Welded Bench Legs
- (1) 16ga Formed Stringer
- (4) or (6) 5" Polyurethane Casters



Product #	A	B	D	E	F	Unit Wt.
126-324-30-166E	36"	24"	12"	9¾"	2¼"	94 lbs
126-324-32-166E	36"	24"	12"	9¾"	2¼"	94 lbs
126-324-35-166E	36"	24"	12"	9¾"	2¼"	94 lbs
126-329-30-166E	36"	29"	17"	12¼"	2¼"	103 lbs
126-329-32-166E	36"	29"	17"	12¼"	2¼"	103 lbs
126-329-35-166E	36"	29"	17"	12¼"	2¼"	103 lbs
126-424-30-166E	48"	24"	12"	9¾"	2¼"	105 lbs
126-424-32-166E	48"	24"	12"	9¾"	2¼"	105 lbs
126-424-35-166E	48"	24"	12"	9¾"	2¼"	105 lbs
126-429-30-166E	48"	29"	17"	12¼"	2¼"	116 lbs
126-429-32-166E	48"	29"	17"	12¼"	2¼"	116 lbs
126-429-35-166E	48"	29"	17"	12¼"	2¼"	116 lbs
126-524-30-166E	60"	24"	12"	9¾"	2¼"	117 lbs
126-524-32-166E	60"	24"	12"	9¾"	2¼"	117 lbs
126-524-35-166E	60"	24"	12"	9¾"	2¼"	117 lbs
126-529-30-166E	60"	29"	17"	12¼"	2¼"	131 lbs
126-529-32-166E	60"	29"	17"	12¼"	2¼"	131 lbs
126-529-35-166E	60"	29"	17"	12¼"	2¼"	131 lbs
126-536-30-166E	60"	36"	24⅝"	16⅛"	1⅝"	150 lbs
126-536-32-166E	60"	36"	24⅝"	16⅛"	1⅝"	150 lbs
126-536-35-166E	60"	36"	24⅝"	16⅛"	1⅝"	150 lbs
126-624-30-166E	72"	24"	12"	9¾"	2¼"	129 lbs
126-624-32-166E	72"	24"	12"	9¾"	2¼"	129 lbs
126-624-35-166E	72"	24"	12"	9¾"	2¼"	129 lbs
126-629-30-166E	72"	29"	17"	12¼"	2¼"	144 lbs
126-629-32-166E	72"	29"	17"	12¼"	2¼"	144 lbs
126-629-35-166E	72"	29"	17"	12¼"	2¼"	144 lbs
126-636-30-166E	72"	36"	24⅝"	16⅛"	1⅝"	166 lbs
126-636-32-166E	72"	36"	24⅝"	16⅛"	1⅝"	166 lbs
126-636-35-166E	72"	36"	24⅝"	16⅛"	1⅝"	166 lbs

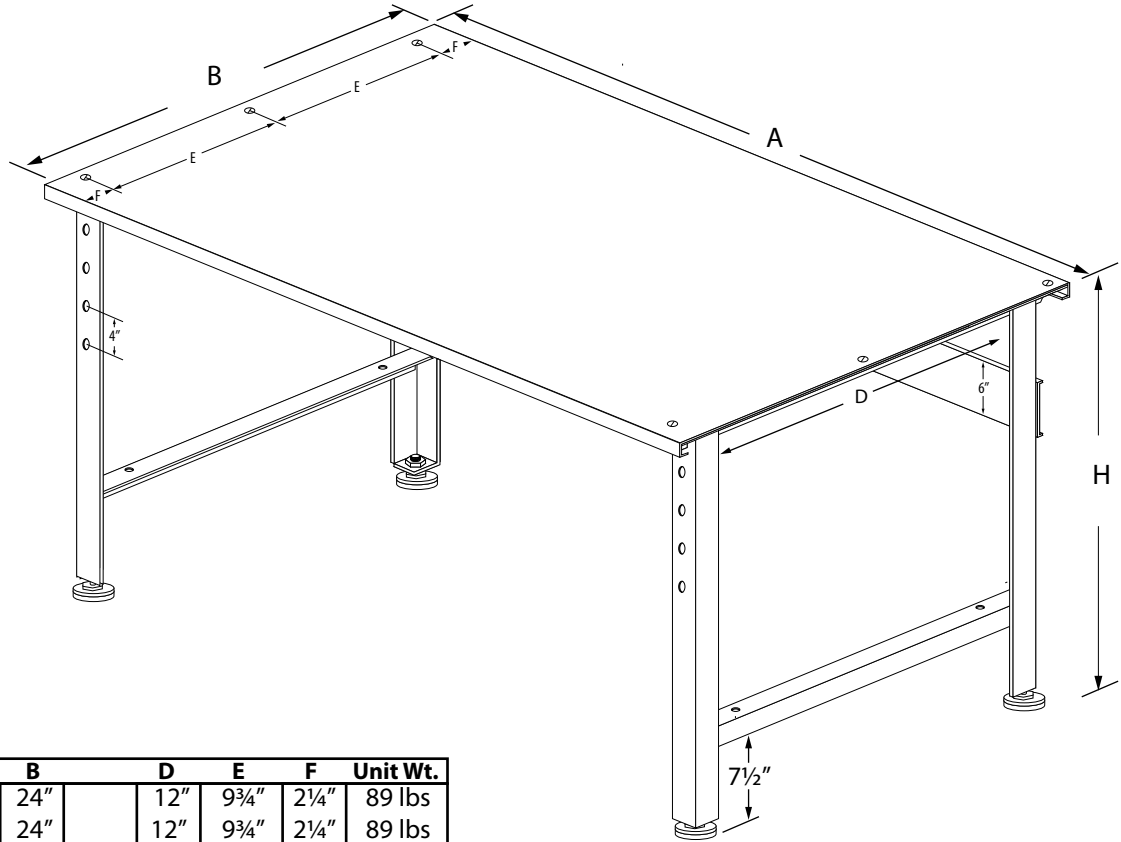
Product #	A	B	D	E	F	Unit Wt.
126-829-30-166E	96"	29"	17"	12¼"	2¼"	193 lbs
126-829-32-166E	96"	29"	17"	12¼"	2¼"	193 lbs
126-829-35-166E	96"	29"	17"	12¼"	2¼"	193 lbs
126-836-30-166E	96"	36"	24⅝"	16⅛"	1⅝"	224 lbs
126-836-32-166E	96"	36"	24⅝"	16⅛"	1⅝"	224 lbs
126-836-35-166E	96"	36"	24⅝"	16⅛"	1⅝"	224 lbs
126-1029-30-166E	120"	29"	17"	12¼"	2¼"	221 lbs
126-1029-32-166E	120"	29"	17"	12¼"	2¼"	221 lbs
126-1029-35-166E	120"	29"	17"	12¼"	2¼"	221 lbs
126-1036-30-166E	120"	36"	24⅝"	16⅛"	1⅝"	257 lbs
126-1036-32-166E	120"	36"	24⅝"	16⅛"	1⅝"	257 lbs
126-1036-35-166E	120"	36"	24⅝"	16⅛"	1⅝"	257 lbs

SHIPS: Knocked Down
SLR: 3,300 - 4,920 lbs.

ARC WELDED MEDIUM DUTY MACHINE TABLE

126-166E / 126-166XE

- (1) 12ga Formed Bench Top
- (2) or (3) Arc Welded Bench Legs
- (1) 16ga Formed Stringer
- (4) or (6) 6" Phenolic Casters



Product #	A	B	D	E	F	Unit Wt.
126-324-30-G	36"	24"	12"	9 3/4"	2 1/4"	89 lbs
126-324-32-G	36"	24"	12"	9 3/4"	2 1/4"	89 lbs
126-324-35-G	36"	24"	12"	9 3/4"	2 1/4"	89 lbs
126-329-30-G	36"	29"	17"	12 1/4"	2 1/4"	103 lbs
126-329-32-G	36"	29"	17"	12 1/4"	2 1/4"	103 lbs
126-329-35-G	36"	29"	17"	12 1/4"	2 1/4"	103 lbs
126-424-30-G	48"	24"	12"	9 3/4"	2 1/4"	105 lbs
126-424-32-G	48"	24"	12"	9 3/4"	2 1/4"	105 lbs
126-424-35-G	48"	24"	12"	9 3/4"	2 1/4"	105 lbs
126-429-30-G	48"	29"	17"	12 1/4"	2 1/4"	123 lbs
126-429-32-G	48"	29"	17"	12 1/4"	2 1/4"	123 lbs
126-429-35-G	48"	29"	17"	12 1/4"	2 1/4"	123 lbs
126-524-30-G	60"	24"	12"	9 3/4"	2 1/4"	123 lbs
126-524-32-G	60"	24"	12"	9 3/4"	2 1/4"	123 lbs
126-524-35-G	60"	24"	12"	9 3/4"	2 1/4"	123 lbs
126-529-30-G	60"	29"	17"	12 1/4"	2 1/4"	145 lbs
126-529-32-G	60"	29"	17"	12 1/4"	2 1/4"	145 lbs
126-529-35-G	60"	29"	17"	12 1/4"	2 1/4"	145 lbs
126-536-30-G	60"	36"	24 5/8"	16 1/8"	1 1/8"	177 lbs
126-536-32-G	60"	36"	24 5/8"	16 1/8"	1 1/8"	177 lbs
126-536-35-G	60"	36"	24 5/8"	16 1/8"	1 1/8"	177 lbs
126-624-30-G	72"	24"	12"	9 3/4"	2 1/4"	139 lbs
126-624-32-G	72"	24"	12"	9 3/4"	2 1/4"	139 lbs
126-624-35-G	72"	24"	12"	9 3/4"	2 1/4"	139 lbs
126-629-30-G	72"	29"	17"	12 1/4"	2 1/4"	165 lbs
126-629-32-G	72"	29"	17"	12 1/4"	2 1/4"	165 lbs
126-629-35-G	72"	29"	17"	12 1/4"	2 1/4"	165 lbs
126-636-30-G	72"	36"	24 5/8"	16 1/8"	1 1/8"	201 lbs
126-636-32-G	72"	36"	24 5/8"	16 1/8"	1 1/8"	201 lbs
126-636-35-G	72"	36"	24 5/8"	16 1/8"	1 1/8"	201 lbs

Product #	A	B	D	E	F	Unit Wt.
126-829-30-G	96"	29"	17"	12 1/4"	2 1/4"	227 lbs
126-829-32-G	96"	29"	17"	12 1/4"	2 1/4"	227 lbs
126-829-35-G	96"	29"	17"	12 1/4"	2 1/4"	227 lbs
126-836-30-G	96"	36"	24 5/8"	16 1/8"	1 1/8"	280 lbs
126-836-32-G	96"	36"	24 5/8"	16 1/8"	1 1/8"	280 lbs
126-836-35-G	96"	36"	24 5/8"	16 1/8"	1 1/8"	280 lbs
126-1029-30-G	120"	29"	17"	12 1/4"	2 1/4"	269 lbs
126-1029-32-G	120"	29"	17"	12 1/4"	2 1/4"	269 lbs
126-1029-35-G	120"	29"	17"	12 1/4"	2 1/4"	269 lbs
126-1036-30-G	120"	36"	24 5/8"	16 1/8"	1 1/8"	332 lbs
126-1036-32-G	120"	36"	24 5/8"	16 1/8"	1 1/8"	332 lbs
126-1036-35-G	120"	36"	24 5/8"	16 1/8"	1 1/8"	332 lbs

SHIPS: Knocked Down
SLR: 3,000 -8,000 lbs.

ARC WELDED MEDIUM DUTY MACHINE TABLE

126-G

- (1) 12ga Formed Bench Top
- (2) or (3) Arc Welded Bench Legs w/ Glides
- (1) 16ga Formed Stringer