

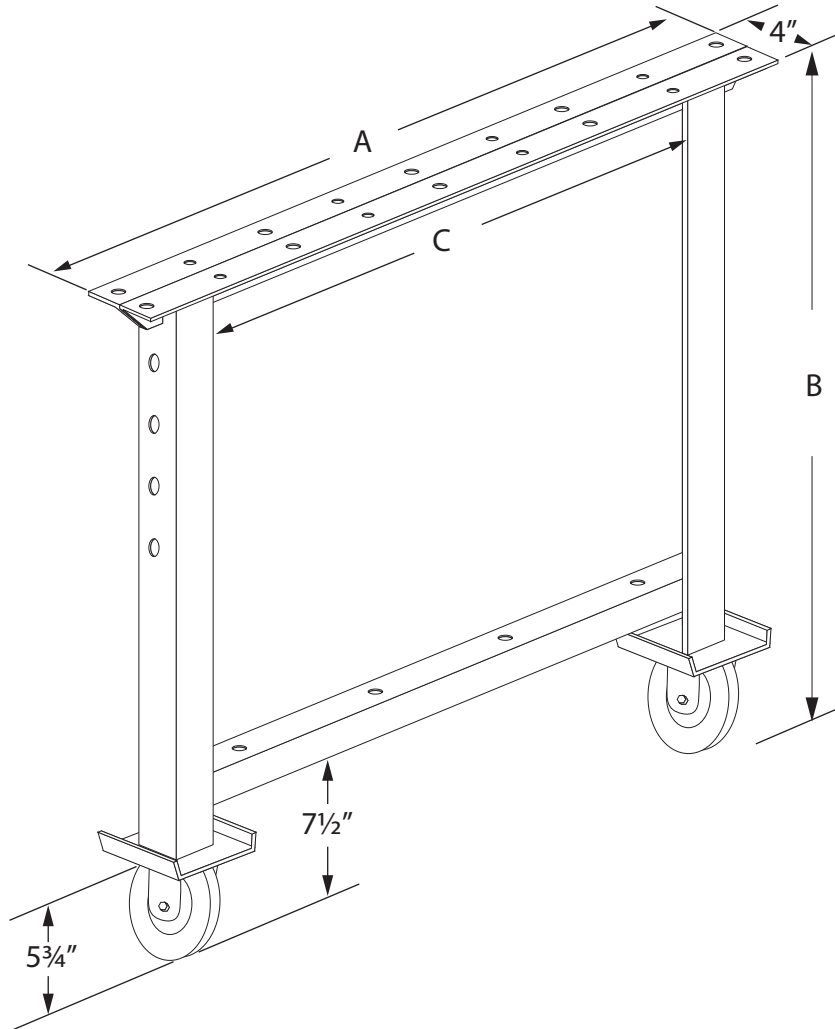
Product #	A	B	C	Unit Wt.
200-2330	23"	30"	12"	19 lbs.
200-2332	23"	32 1/4"	12"	19.5 lbs.
200-2335	23"	35"	12"	20 lbs.
200-2830	28"	30"	17"	21 lbs.
200-2832	28"	32 1/4"	17"	21.5 lbs.
200-2835	28"	35"	17"	22 lbs.
200-3630	35 3/4"	30"	24 5/8"	24 lbs.
200-3632	35 3/4"	32 1/4"	24 5/8"	24.5 lbs.
200-3635	35 3/4"	35"	24 5/8"	25 lbs.

**SHIPS: ALL WELDED
SLR: 7,500 lbs.**

ARC WELDED BENCH LEGS

200

- (2) 2" x 2" x 1/8" Angle Iron Top Crosses
- (2) 2" x 2" x 1/8" Angle Iron Uprights
- (1) 1 1/2" x 1 1/2" x 1/8" Angle Iron Lower Crosses
- (2) 2" x 2" x 1/8" Angle Iron Foot Pads



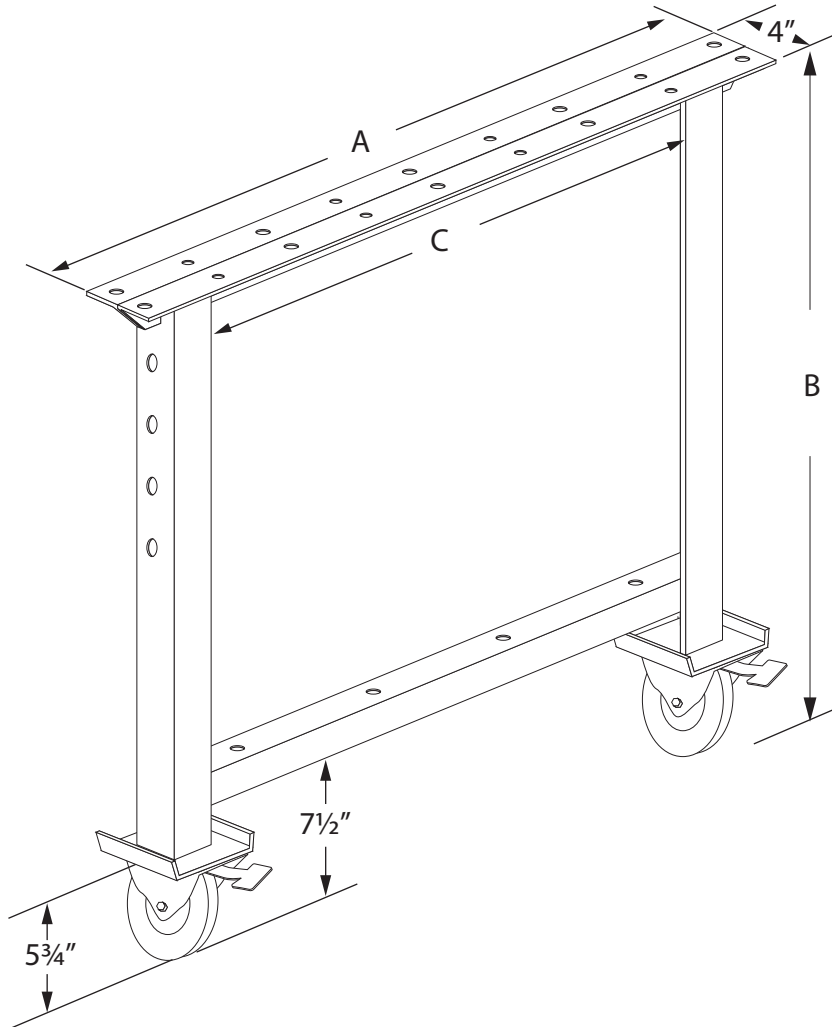
Product #	A	B	C	Unit Wt.
200-2330-166R	23"	30"	12"	27 lbs.
200-2332-166R	23"	32 1/4"	12"	27.5 lbs.
200-2335-166R	23"	35"	12"	28 lbs.
200-2830-166R	28"	30"	17"	29 lbs.
200-2832-166R	28"	32 1/4"	17"	29.5 lbs.
200-2835-166R	28"	35"	17"	30 lbs.
200-3630-166R	35 3/4"	30"	24 5/8"	32 lbs.
200-3632-166R	35 3/4"	32 1/4"	24 5/8"	32.5 lbs.
200-3635-166R	35 3/4"	35"	24 5/8"	33 lbs.

**SHIPS: ALL WELDED
SLR: 700 lbs.**

ARC WELDED BENCH LEGS

200-166R

- (2) 2" x 2" x 1/8" Angle Iron Top Crosses
- (2) 2" x 2" x 1/8" Angle Iron Uprights
- (1) 1 1/2" x 1 1/2" x 1/8" Angle Iron Lower Crosses
- (2) 5" Rigid Polyurethane Casters



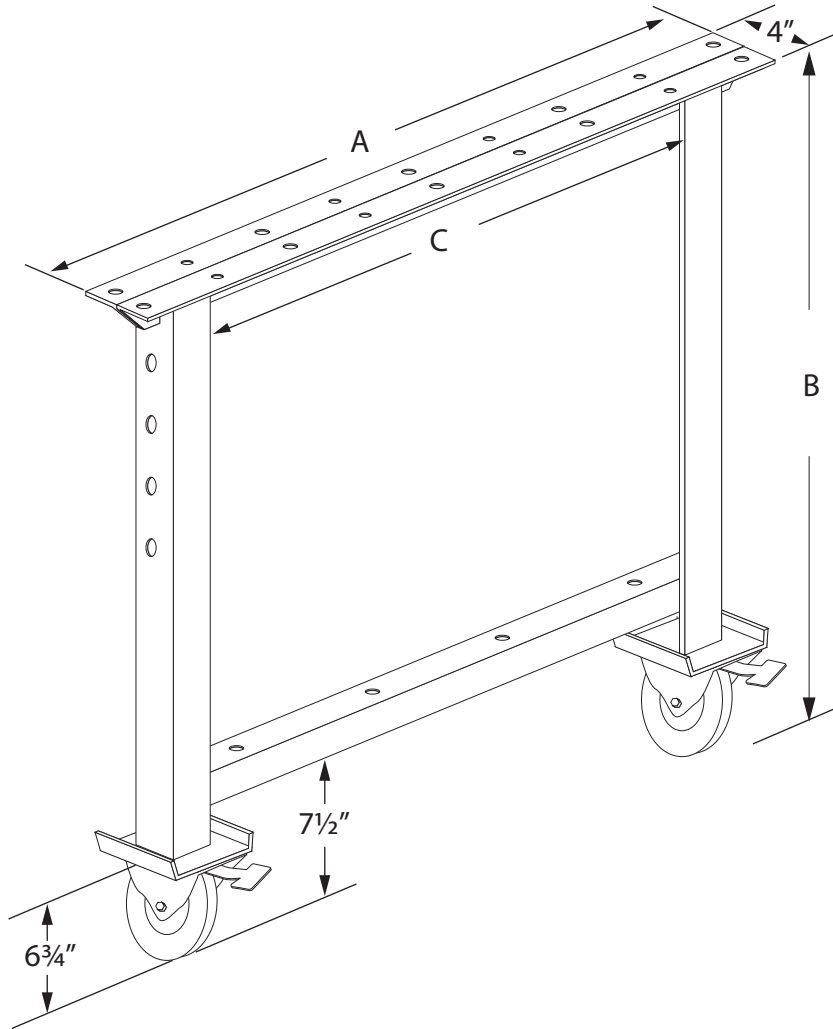
Product #	A	B	C	Unit Wt.
200-2330-166XR	23"	30"	12"	29 lbs.
200-2332-166XR	23"	32 1/4"	12"	29.5 lbs.
200-2335-166XR	23"	35"	12"	30 lbs.
200-2830-166XR	28"	30"	17"	31 lbs.
200-2832-166XR	28"	32 1/4"	17"	31.5 lbs.
200-2835-166XR	28"	35"	17"	32 lbs.
200-3630-166XR	35 3/4"	30"	24 5/8"	34 lbs.
200-3632-166XR	35 3/4"	32 1/4"	24 5/8"	34.5 lbs.
200-3635-166XR	35 3/4"	35"	24 5/8"	35 lbs.

**SHIPS: ALL WELDED
SLR: 700 lbs.**

ARC WELDED BENCH LEGS

200-166XR

- (2) 2" x 2" x 1/8" Angle Iron Top Crosses
- (2) 2" x 2" x 1/8" Angle Iron Uprights
- (1) 1 1/2" x 1 1/2" x 1/8" Angle Iron Lower Crosses
- (2) 5" Polyurethane Swivel Casters w/ Brakes



Product #	A	B	C	Unit Wt.
200-2330-166XE	23"	30"	12"	31 lbs.
200-2332-166XE	23"	32 1/4"	12"	31.5 lbs.
200-2335-166XE	23"	35"	12"	32 lbs.
200-2830-166XE	28"	30"	17"	33 lbs.
200-2832-166XE	28"	32 1/4"	17"	33.5 lbs.
200-2835-166XE	28"	35"	17"	34 lbs.
200-3630-166XE	35 3/4"	30"	24 5/8"	35 lbs.
200-3632-166XE	35 3/4"	32 1/4"	24 5/8"	35.5 lbs.
200-3635-166XE	35 3/4"	35"	24 5/8"	36 lbs.

**SHIPS: ALL WELDED
SLR: 1,650 lbs.**

ARC WELDED BENCH LEGS

200-166XE

- (2) 2" x 2" x 1/8" Angle Iron Top Crosses
- (2) 2" x 2" x 1/8" Angle Iron Uprights
- (1) 1 1/2" x 1 1/2" x 1/8" Angle Iron Lower Crosses
- (2) 6" Phenolic Swivel Casters w/ Brakes