

Product #	A	B	C	Unit Wt.
202-2330	23"	30"	13"	15 lbs.
202-2332	23"	32 ¹ / ₄ "	13"	15.5 lbs.
202-2335	23"	35"	13"	16 lbs.
202-2830	28"	30"	18"	16 lbs.
202-2832	28"	32 ¹ / ₄ "	18"	16.5 lbs.
202-2835	28"	35"	18"	17 lbs.
202-3630	35 ³ / ₄ "	30"	25 ⁵ / ₈ "	18 lbs.
202-3632	35 ³ / ₄ "	32 ¹ / ₄ "	25 ⁵ / ₈ "	18.5 lbs.
202-3635	35 ³ / ₄ "	35"	25 ⁵ / ₈ "	19 lbs.

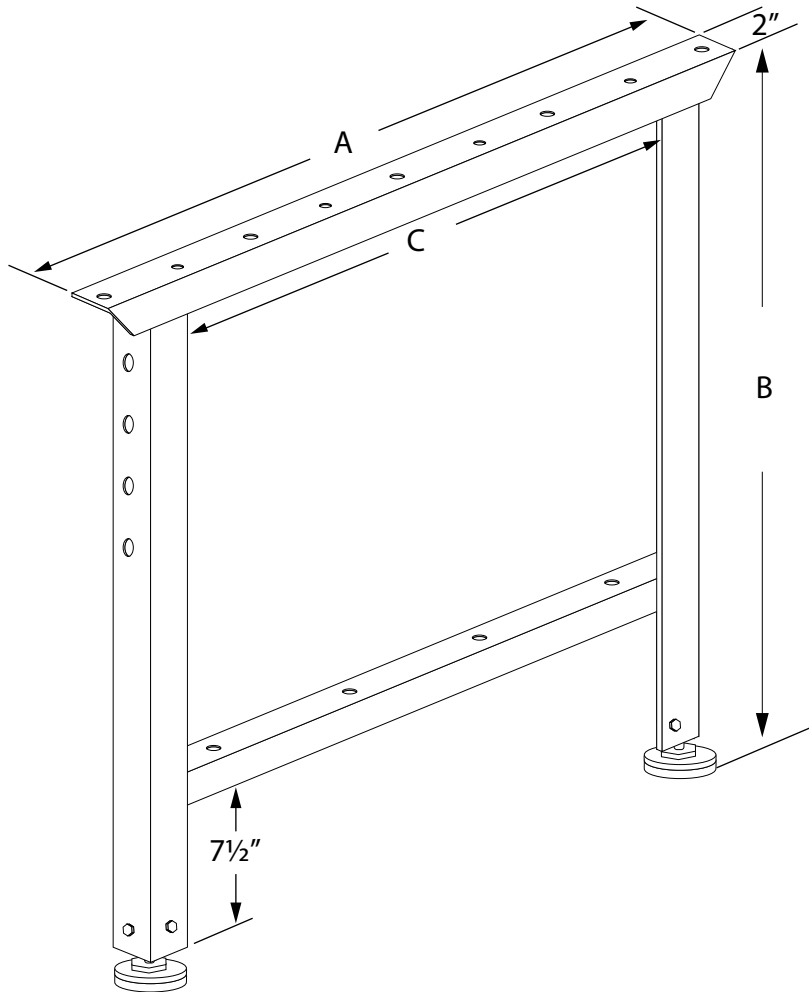
SHIPS: ALL WELDED

SLR: _____ lbs.

ARC WELDED BENCH LEGS

202

- (1) 2" x 2" x 1/8" Angle Iron Top Crosses
- (2) 1 1/2" x 1 1/2" x 1/8" Angle Iron Uprights
- (1) 1 1/4" x 1 1/4" x 1/8" Angle Iron Lower Crosses
- (2) 1 1/2" x 1 1/2" x 1/8" Angle Iron Foot Pads



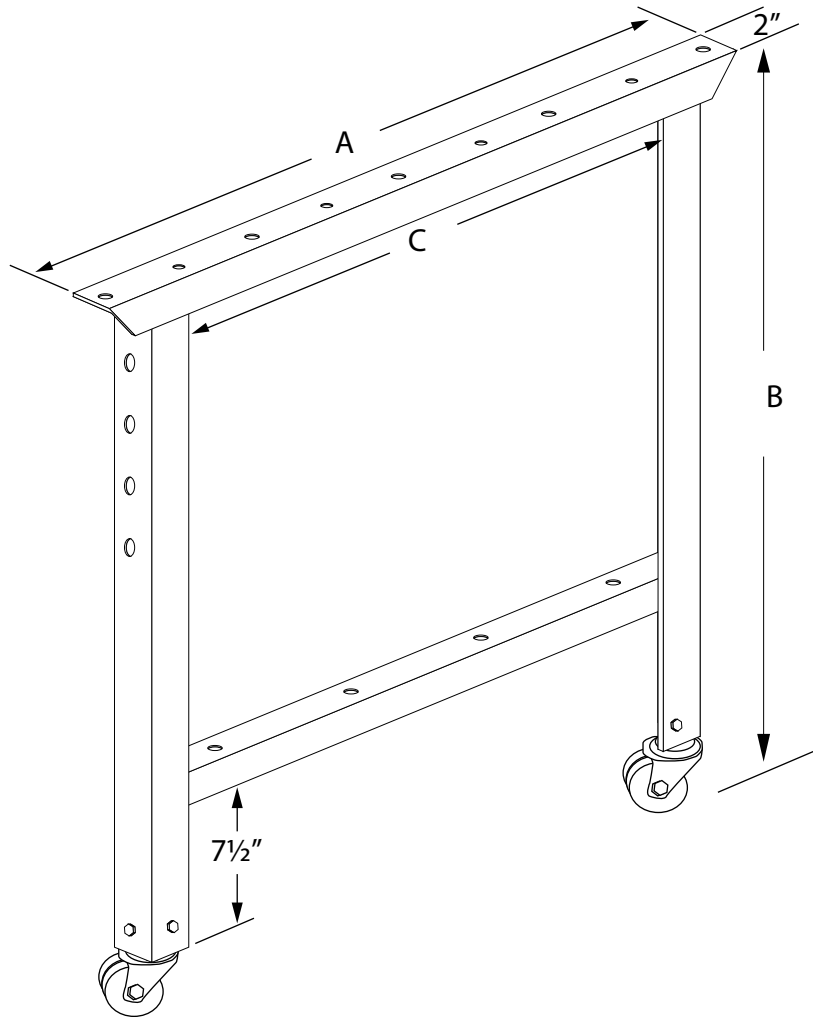
Product #	A	B	C	Unit Wt.
202-2330-G	23"	30"	13"	15 lbs.
202-2332-G	23"	32 $\frac{1}{4}$ "	13"	15.5 lbs.
202-2335-G	23"	35"	13"	16 lbs.
202-2830-G	28"	30"	18"	16 lbs.
202-2832-G	28"	32 $\frac{1}{4}$ "	18"	16.5 lbs.
202-2835-G	28"	35"	18"	17 lbs.
202-3630-G	35 $\frac{3}{4}$ "	30"	25 $\frac{5}{8}$ "	18 lbs.
202-3632-G	35 $\frac{3}{4}$ "	32 $\frac{1}{4}$ "	25 $\frac{5}{8}$ "	18.5 lbs.
202-3635-G	35 $\frac{3}{4}$ "	35"	25 $\frac{5}{8}$ "	19 lbs.

SHIPS: ALL WELDED
SLR: _____ lbs.

ARC WELDED BENCH LEGS

202-G

- (1) 2" x 2" x $\frac{1}{8}$ " Angle Iron Top Crosses
- (2) 1 $\frac{1}{2}$ " x 1 $\frac{1}{2}$ " x $\frac{1}{8}$ " Angle Iron Uprights
- (1) 1 $\frac{1}{4}$ " x 1 $\frac{1}{4}$ " x $\frac{1}{8}$ " Angle Iron Lower Crosses
- (2) 1 $\frac{1}{2}$ " Adjustable Leveler Glides



Product #	A	B	C	Unit Wt.
202-2330-R	23"	30"	13"	15 lbs.
202-2332-R	23"	32 1/4"	13"	15.5 lbs.
202-2335-R	23"	35"	13"	16 lbs.
202-2830-R	28"	30"	18"	16 lbs.
202-2832-R	28"	32 1/4"	18"	16.5 lbs.
202-2835-R	28"	35"	18"	17 lbs.
202-3630-R	35 3/4"	30"	25 5/8"	18 lbs.
202-3632-R	35 3/4"	32 1/4"	25 5/8"	18.5 lbs.
202-3635-R	35 3/4"	35"	25 5/8"	19 lbs.

SHIPS: ALL WELDED
SLR: _____ lbs.

ARC WELDED BENCH LEGS

202-R

- (1) 2" x 2" x 1/8" Angle Iron Top Crosses
- (2) 1 1/2" x 1 1/2" x 1/8" Angle Iron Uprights
- (1) 1 1/4" x 1 1/4" x 1/8" Angle Iron Lower Crosses
- (2) 2 1/2" Dual Swivel Rubber Casters