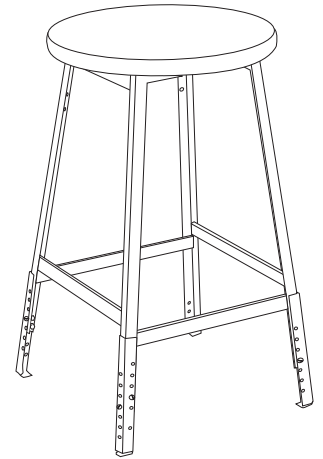
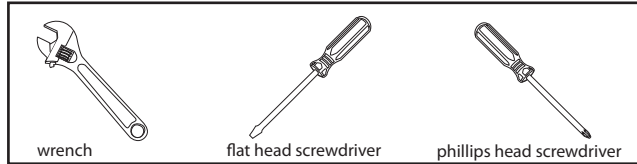




302 - Adjustable Height Shop Stool Assembly Instructions

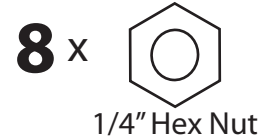
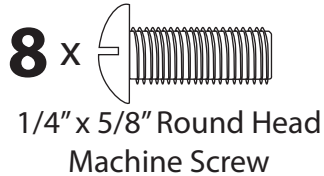
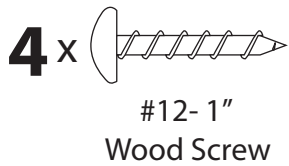


Tools Needed:



Includes:

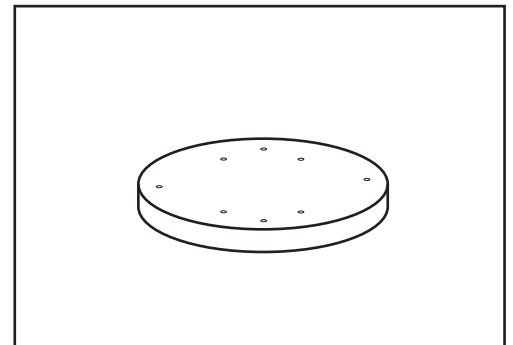
- (1) Stool Seat
- (1) Stool Frame
- (4) Leg Extensions



Steps:

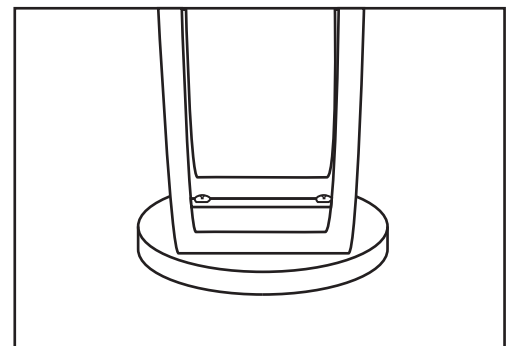
1

Lay seat on a hard surface with under side up.



2

Turn stool frame upside down and line up holes in frame with pilot holes in seat fasten with (4) #12 x 3/4" wood screws.



3

Determine the desired height and bolt on the four adjustable extension legs using (8) 1/4" x 5/8" Round Head Machine Screws, 1/4" Split Lock Washers and 1/4" Hex Nuts. Tighten and Turn Stool Upright.

