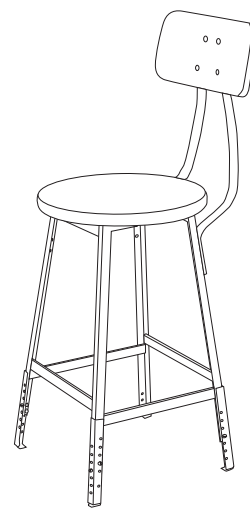
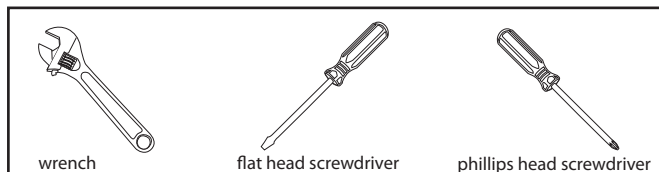




# 303 - Shop Stool With Backrest Assembly Instructions

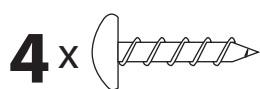


### Tools Needed:

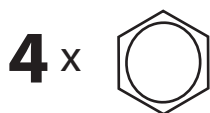


### Includes:

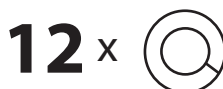
- (1) Stool Seat • (1) Stool Frame • (1) Wood Back Rest • (2) Back Braces (4) Leg Extensions



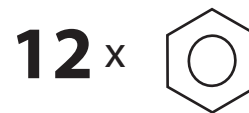
**4 x** #12- 3/4"  
Wood Screw



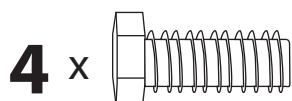
**4 x** 1/4" Hex Cap



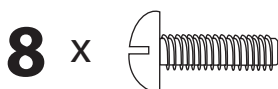
**12 x** 1/4" Lock Washer



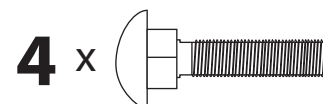
**12 x** 1/4" Hex Nut



**4 x** 1/4" x 3/4" Hex Head  
Machine Screw



**8 x** 1/4" x 5/8" Round Head  
Machine Screw

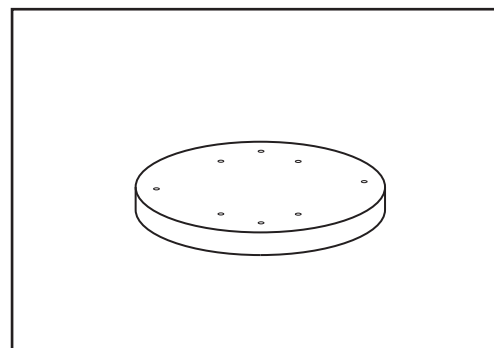


**4 x** 1/4" x 1" Carriage Bolt

### Steps:

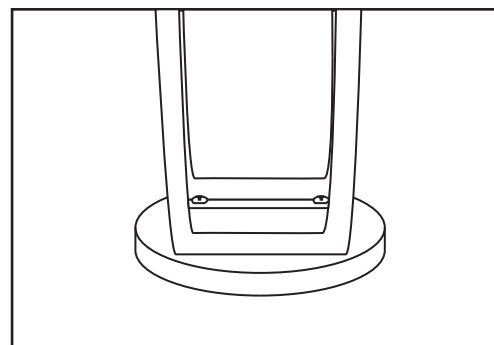
# 1

Lay seat on a hard surface with under side up.



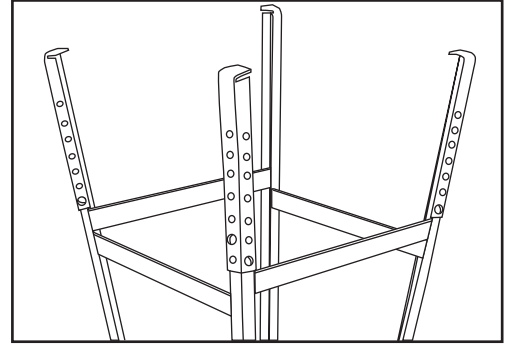
# 2

Turn stool frame upside down and line up holes in frame with pilot holes in seat fasten with (4) #12 x 3/4" wood screws.



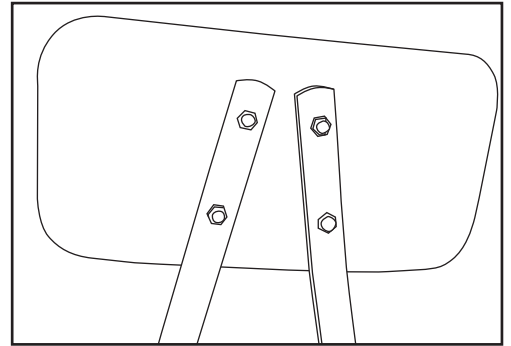
3

Determine the desired height and bolt on the four adjustable extension legs using (8) 1/4" x 5/8" Round Head Machine Screws, 1/4" Split Lock Washers and 1/4" Hex Nuts. Tighten and Turn Stool Upright.



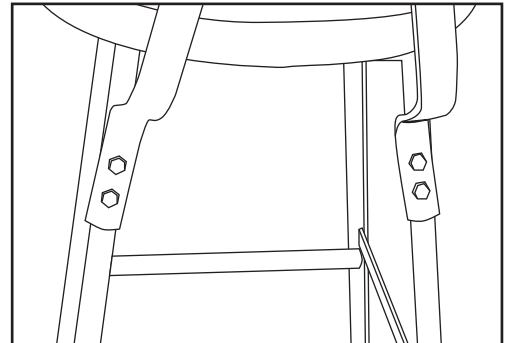
4

Turn Stool upright. Attach wood stool back to back braces by inserting (4) 1/4" x 1" Carriage Bolts through wood back and stool back brace, and fasten with (4) 1/4" Hex Caps. **HAND TIGHTEN ONLY.**



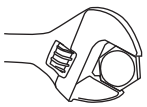
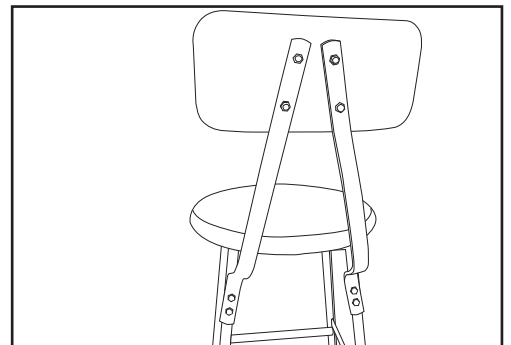
5

Attach Back Braces with Back Rest to Stool Frame using (4) 1/4" x 3/4" Hex Head Machine Screws, 1/4" Lock Washers, and 1/4" Hex Nuts. **HAND TIGHTEN ONLY.**



6

Square up Back Rest to Frame if needed. Tighten Carriage Bolts in wood Back Rest. The Bolt will indent (set itself) into the wood back.



After all brackets are in place, make sure stool is square and then, tighten all screws.