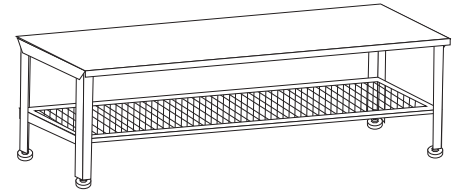
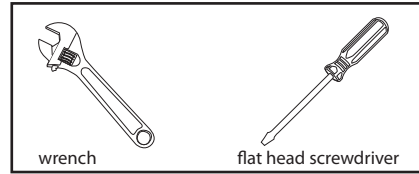




332M - Wood Seat Locker Room Bench Assembly Instructions

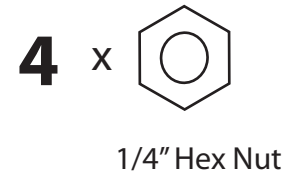
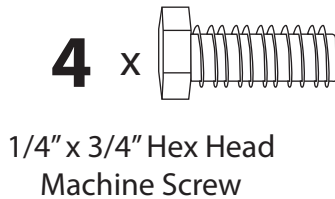
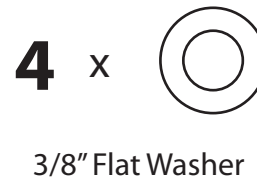
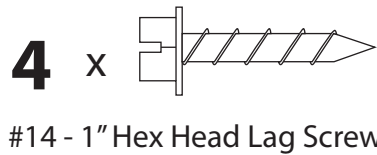


Tools Needed:



Includes:

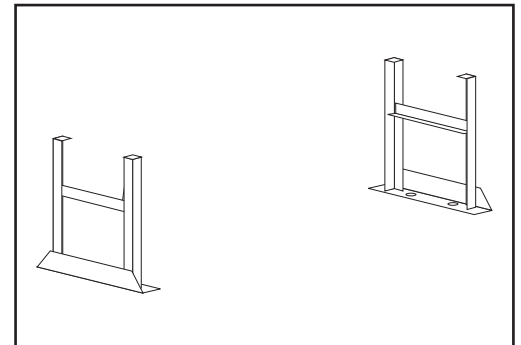
- (2) Bench Legs
- (1) Lower Grid Shelf
- (1) Wood Bench Seat



Steps:

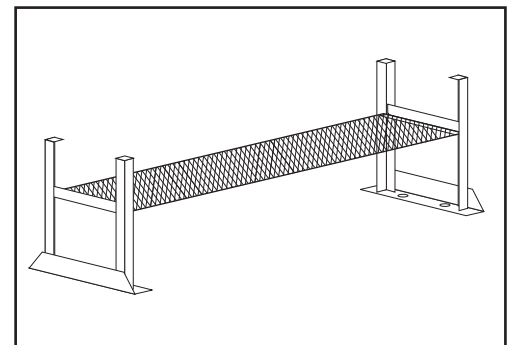
1

Set bench legs upside down with enough room to fit lower shelf between.



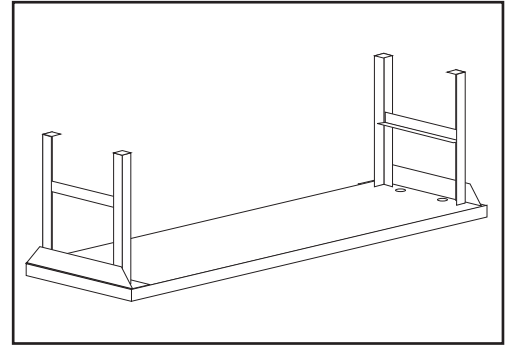
2

Set Lower Grate Shelf on underside of Bench Leg Crosses and Secure to Bench Leg Uprights using (4) 1/4" x 3/4" Hex Head Machine Screws (4) 1/4" lock washers and (4) 1/4" Hex Nuts. **HAND TIGHTEN ONLY.**



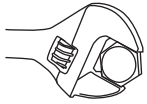
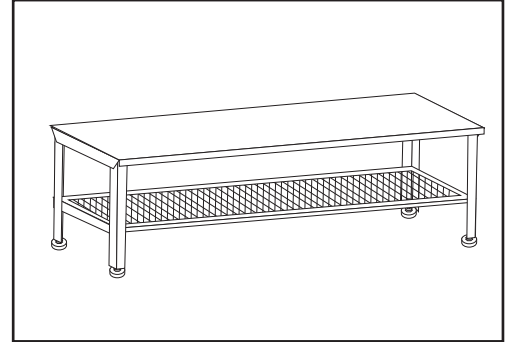
3

Place legs on underside of bench and mark holes. It is recommended that pilot holes be drilled. After holes are marked and drilled, use (4) #14 -1" Hex head lag screws with (4) $\frac{3}{8}$ " Flat Washers to attach seat.



4

Turn bench upright.



After bench is upright, make sure bench is square and then, tighten all bolts, starting with the lower grid shelf.

