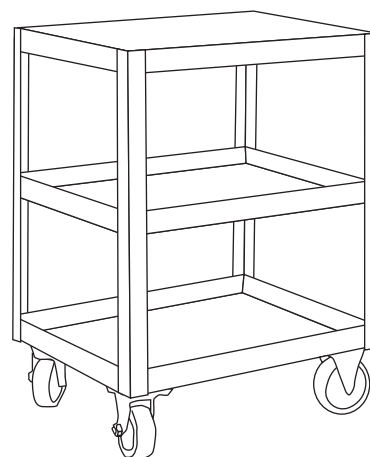
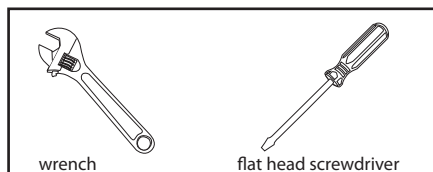




506 High Truck Assembly Instructions



Tools Needed:



wrench

flat head screwdriver

Includes:

- (3) Trays • (4) Uprights • (2) 5" Polyurethane Stationary Casters • (2) 5" Polyurethane Swivel Casters



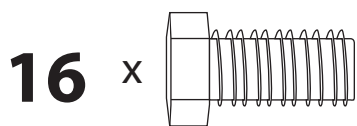
1/4" x 5/8" Round Head
Machine Screw



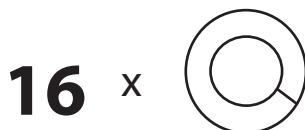
1/4" Lock Washer



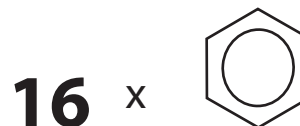
1/4" Hex Nut



3/8" x 3/4" Hex Head
Machine Screw



3/8" Lock Washer

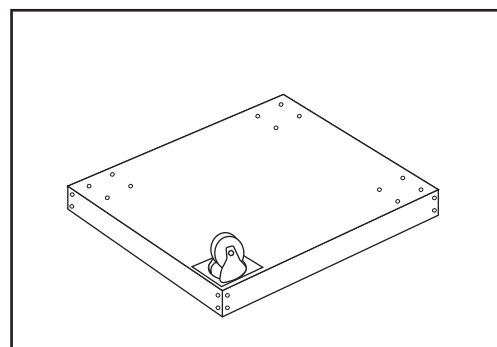


3/8" Hex Nut

Steps:

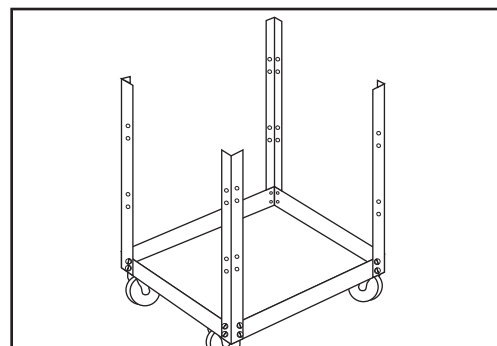
1

Place bottom tray down on a flat surface lips down. Note: Bottom Tray will be pierced for casters. Allign (2) Stationary Casters with holes on one end of the bottom tray, and attach with (8) 3/8" x 3/4" Hex Head Machine Screws, 3/8" Lock Washers, and 3/8" Hex Nuts. Repeat with remaining (2) Swivel Casters and (8) 3/8" x 3/4" Hex Head Machine Screws, 3/8" Lock Washers, and 3/8" Hex Nuts on the opposite end.



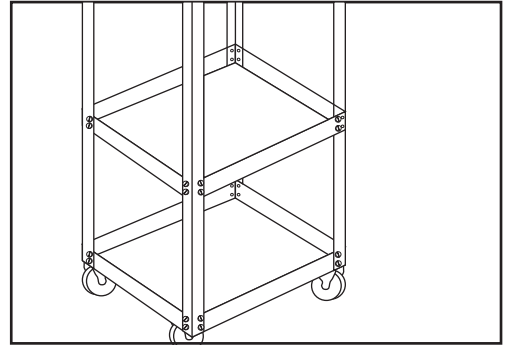
2

Turn Tray and Casters over. Attach uprights to the outside of the tray, matching the four holes on the upright and tray. Secure with (16) 1/4" x 5/8" Round Head Machine Screws, 1/4" Hex Nuts and 1/4" Lock Washers. **HAND TIGHTEN ONLY.**



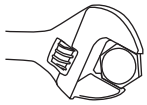
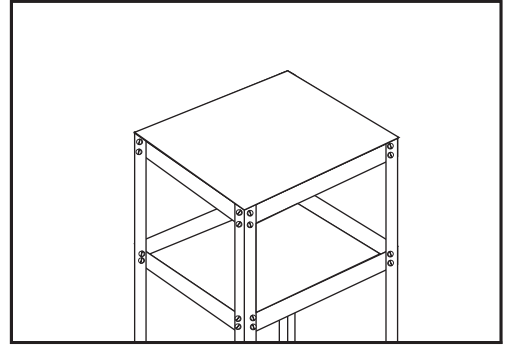
3

Attach middle tray to the to the uprights, matching the four holes on each uprights with the holes in the tray. Secure with (16) 1/4" x 5/8" Round Head Machine Screws, 1/4" Hex Nuts and 1/4" Lock Washers. **HAND TIGHTEN ONLY.**



4

Attach top tray to the to the uprights, matching the four holes on each uprights with the holes in the tray. Secure with (16) 1/4" x 5/8" Round Head Machine Screws, 1/4" Hex Nuts and 1/4" Lock Washers. **HAND TIGHTEN ONLY.**



After all Screws are in place, make sure stand is square, and then tighten all nuts and bolts